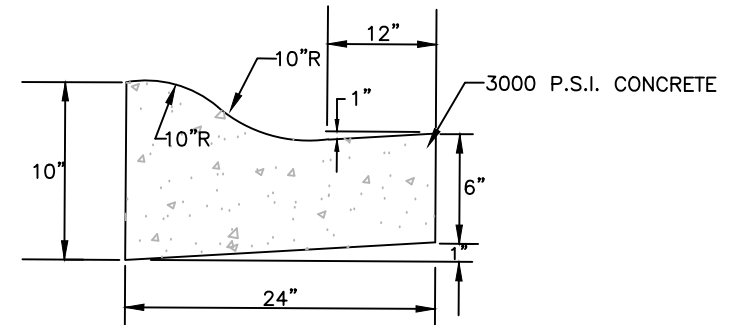


STANDARD CURB AND GUTTER  
NOT TO SCALE



OGEE CURB AND GUTTER  
NOT TO SCALE

NOTE: "SPILL" SECTIONS ARE NOT SHOWN  
BUT ARE REQUIRED AS NEEDED TO PREVENT  
THE PONDING OF WATER. THE CONTRACTOR  
SHALL CONTACT THE ENGINEER PRIOR TO  
STARTING WORK AS TO ASCERTAIN WHERE  
"SPILL" SECTIONS ARE REQUIRED. (TYPICAL  
ALL CURB SECTIONS).



**North  
Augusta**  
South Carolina's  
Riverfront

### REVISIONS

DATE	BY	DESCRIPTION
9/29/05	CKC	REMOVED OGEE CURB
6/21/23	BGM	CHANGE FONT, TITLE BLOCK

TYPICAL 24" CONCRETE  
CURB AND GUTTER

DWG. NO.

7.04