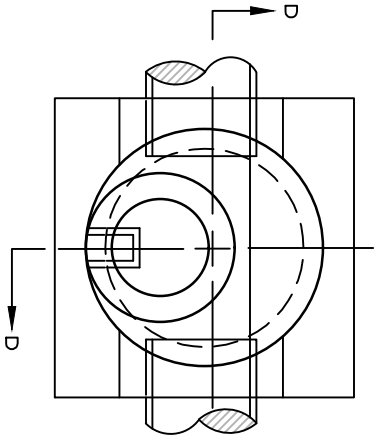
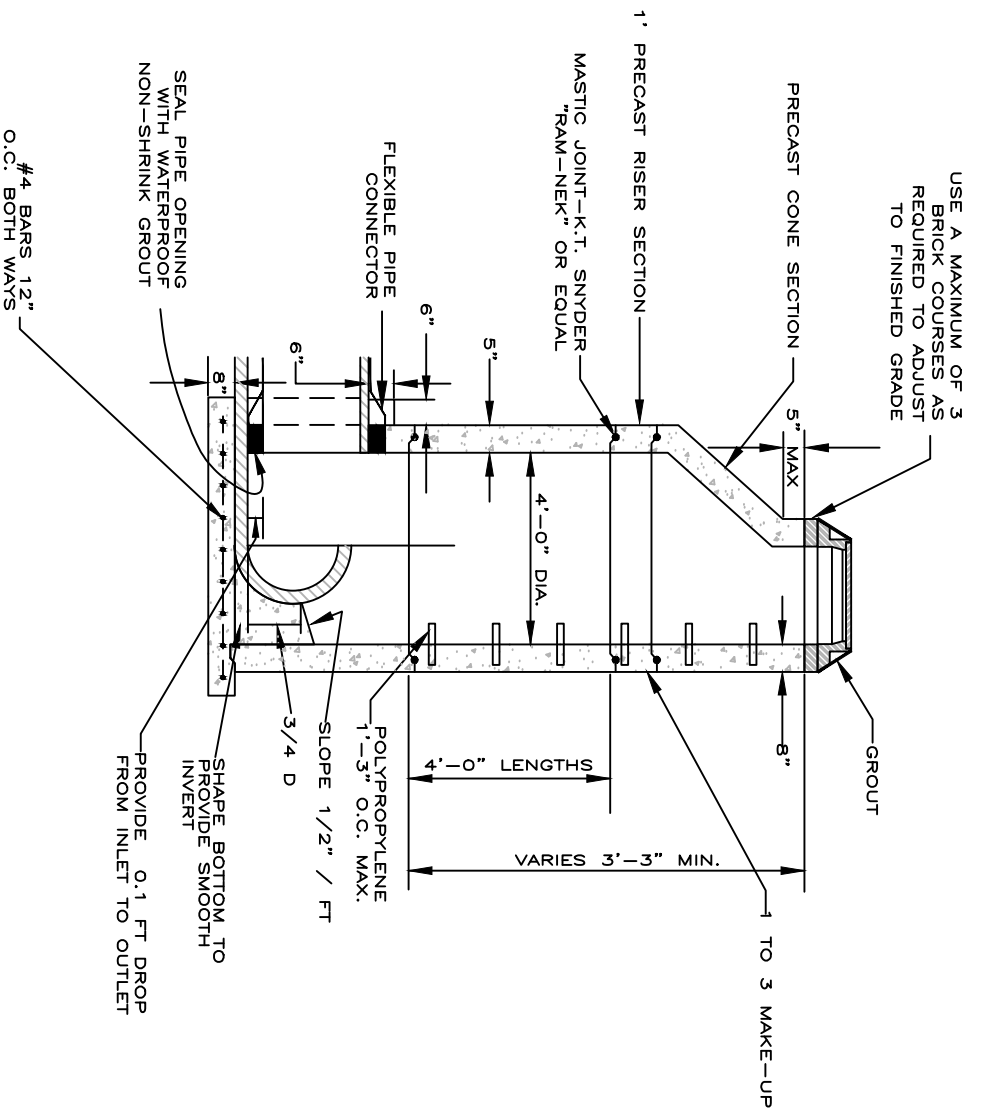


- NOTES:
1. INSTALL IN ALL MANHOLES AN INFLOW PROTECTOR BOWL WITH BUILT IN STRAP.
 2. INSTALL IN DESIGNATED MANHOLES A FRAME - CHIMNEY SEAL BY NPT, INC. OR EQUAL.
 3. ALL MANHOLES MUST HAVE REINFORCED PRECAST OR POURED BOTTOM SLAB (PER DETAIL).
 4. INVERT DIFFERENCES OF > 2' REQUIRE A DROP MANHOLE. SEE DETAIL 5.03



PLAN



SECTION D-D

NOT TO SCALE

DWG. NO.

5.01

STANDARD
MANHOLE

REVISIONS

DATE	BY	DESCRIPTION
9/29/05	CKC	ADDED NOTES
9/27/06	MEN	ADDED NOTES/REBAR
8/24/22	BGM	CHANGE FONT, TITLE BLOCK

