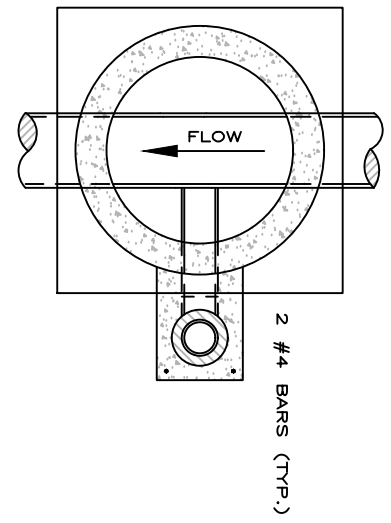
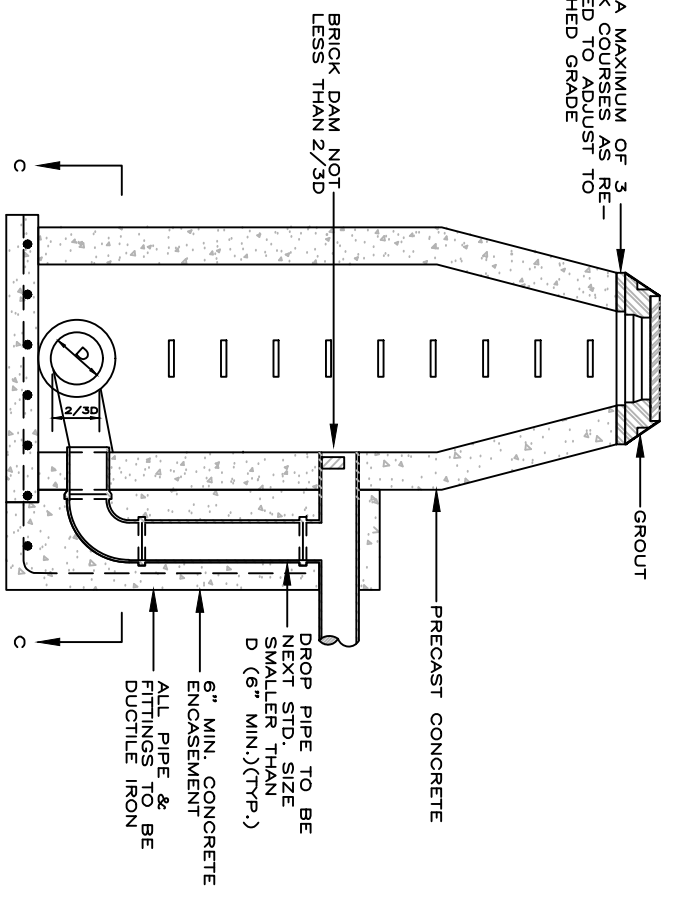


NOTE: DROP MANHOLE TO BE USED WHERE INLET AND OUTLET I.E. DIFFERENCE IS GREATER THAN 2.0'

D=INSIDE DIAMETER OF MAINLINE PIPE



USE A MAXIMUM OF 3 BRICK COURSES AS REQUIRED TO ADJUST TO FINISHED GRADE



TYPICAL SECTION
NOT TO SCALE

DWG. NO.

5.03

OUTSIDE DROP MANHOLE

REVISIONS

DATE	BY	DESCRIPTION
8/24/22	BGM	CHANGE FONT, TITLE BLOCK
2/01/24	BGM	DELETE EXTRA CONCRETE, EXTEND TEE INSIDE MANHOLE

