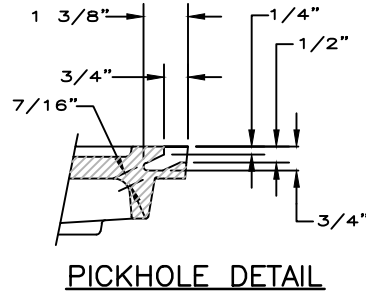
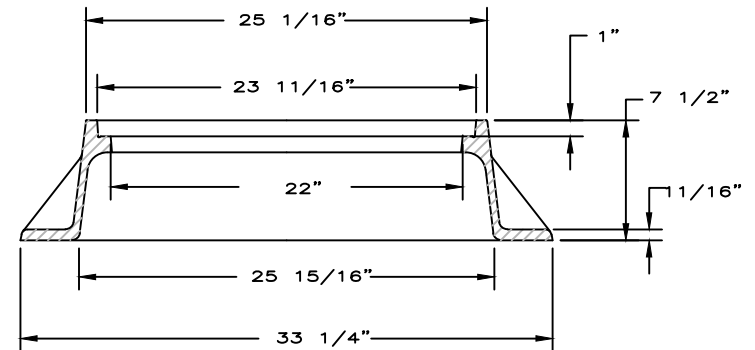
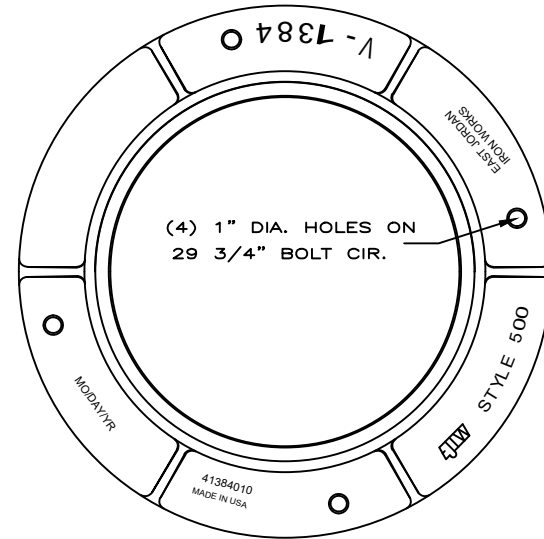


NOTE: MACHINED SURFACES BEARING SURFACES BETWEEN COVER AND FRAME



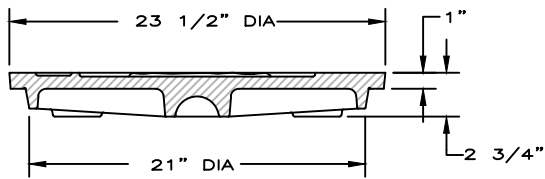
PICKHOLE DETAIL



FRAME SECTION

COVER: 130 LBS
 MATERIAL - GRAY IRON
 PRODUCT NO. NCR03-1375A
 CATALOG NO. V-1384

MFGR: EAST JORDAN IRON WORKS, INC.
 P.O. BOX 439
 EAST JORDAN, MI 49727
 1-800-874-4100
 FAX 231-536-4458



COVER SECTION



REVISIONS

DATE	BY	DESCRIPTION
6/13/03	TCZ	TRAFFIC SANITARY LID W/LOGO
8/24/22	BGM	CHANGE FONT, TITLE BLOCK

STANDARD (TRAFFIC)
 FRAME AND COVER

DWG. NO.

5.04