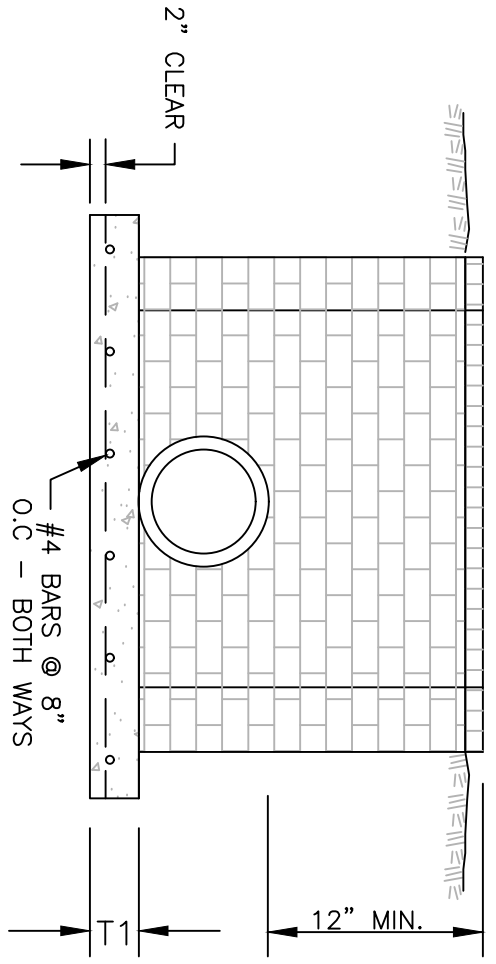


PLAN
N.T.S.

SEE DIMENSION
SCHEDULE, DETAIL 6.06
FOR WEIR INLETS FOR T1



ELEVATION
N.T.S.

NOTES:
1. HEADWALL CAN BE EITHER BRICK OR PRECAST. IF HEADWALL IS
PRECAST, MINIMUM 3,000 PSI FOR ALL CONCRETE.

DWG. NO.

6.08

STANDARD HEADWALL
(NO WING WALLS)

REVISIONS

DATE	BY	DESCRIPTION
2/16/23	BGM	CHANGE FONT, TITLE BLOCK

