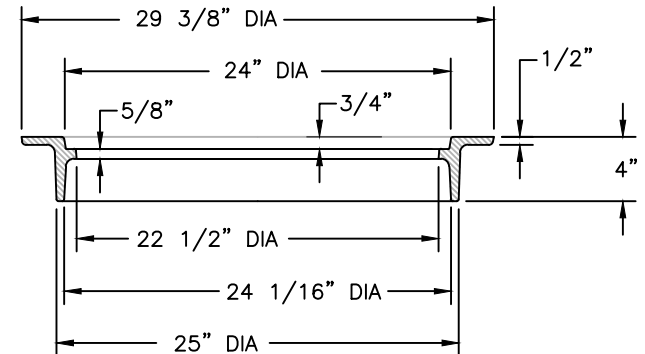
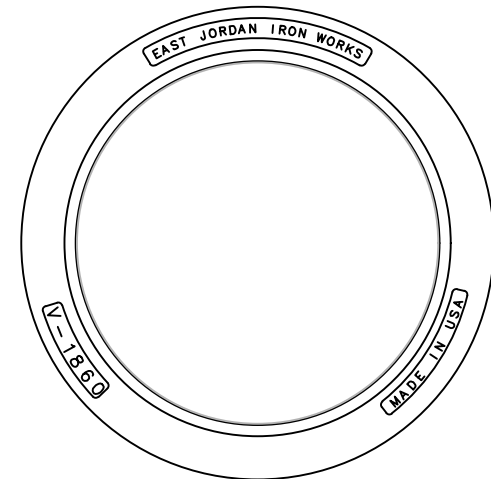
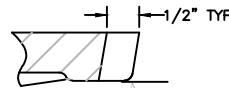


COVER SECTION

OPEN PICKHOLE DETAIL

MACHINED BEARING SURFACES BETWEEN COVER & FRAME



FRAME SECTION

COVER: 70 LBS  
 MATERIAL - GRAY IRON  
 PRODUCT NO. NCR03-346A  
 CATALOG NO. V-1860

MFGR: EAST JORDAN  
 IRON WORKS, INC.  
 P.O. BOX 439  
 EAST JORDAN, MI 49727  
 1-800-874-4100  
 FAX 231-536-4458

NOT TO SCALE



**North Augusta**  
 South Carolina's  
 Riverfront

REVISIONS

DATE	BY	DESCRIPTION
4/01/03	TCZ	ADDED LID DESIGN W/LOGO
2/18/23	BGM	CHANGE FONT, TITLE BLOCK

NON-TRAFFIC  
 FRAME & COVER

DWG. NO.

6.09