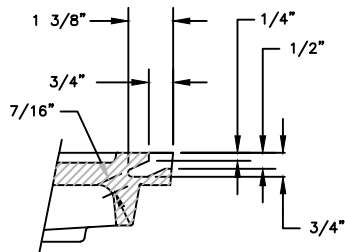


COVER SECTION

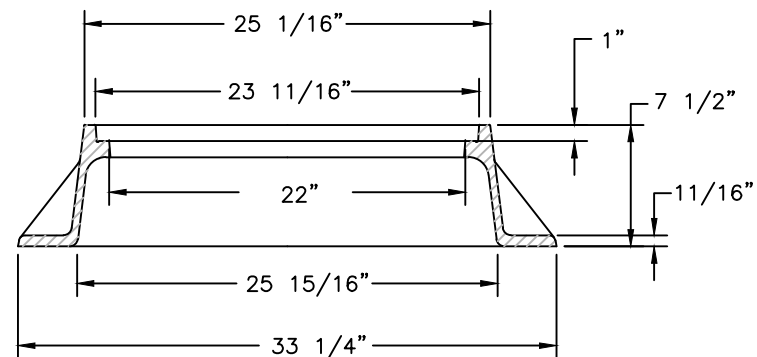
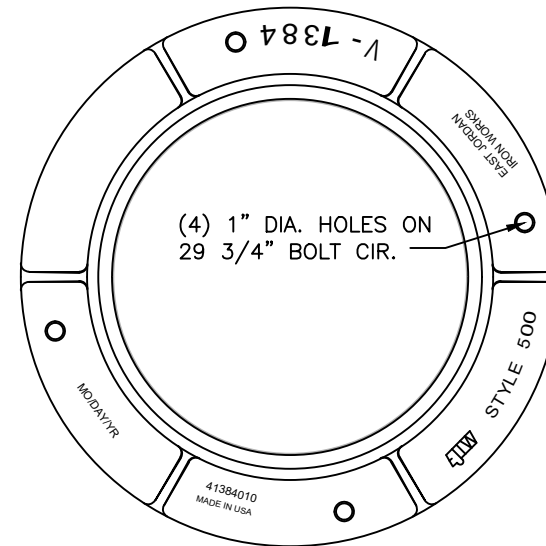
NOTE: MACHINED SURFACES BEARING SURFACES BETWEEN COVER AND FRAME



PICKHOLE DETAIL

COVER: 130 LBS
 MATERIAL - GRAY IRON
 PRODUCT NO. NCR03-1375B
 CATALOG NO. V-1384

MFGR: EAST JORDAN
 IRON WORKS, INC.
 P.O. BOX 439
 EAST JORDAN, MI 49727
 1-800-874-4100
 FAX 231-536-4458



FRAME SECTION

NOT TO SCALE



REVISIONS		
DATE	BY	DESCRIPTION
6/13/03	TCZ	TRAFFIC STORM LID W/LOGO
2/16/23	BGM	CHANGE FONT, TITLE BLOCK

TRAFFIC (HEAVY DUTY)
 FRAME & COVER

DWG. NO.

6.10