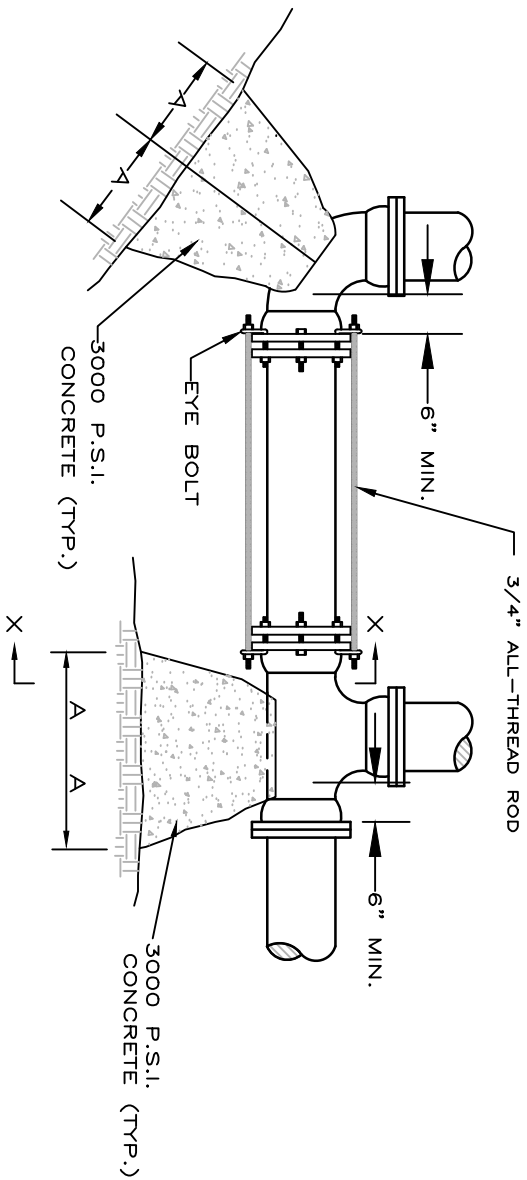
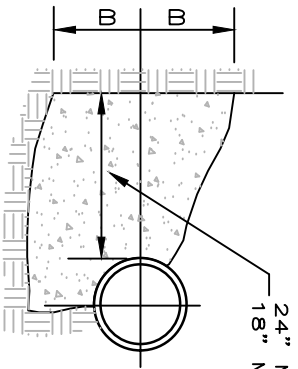


NOT TO SCALE

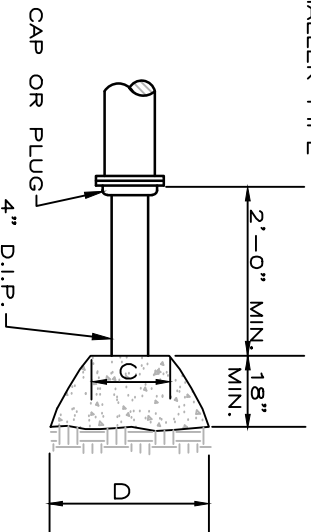


PLAN-BENDS

PLAN-TEES



24" MIN. 12" & LARGER PIPE
18" MIN. 10" & SMALLER PIPE



SECTION X-X
BENDS & TEES

PLAN & ELEVATION
CAPS AND PLUGS

- NOTES:
1. DO NOT ALLOW CONCRETE TO COVER BOLTS, GLANDS, RINGS, OR NUTS.
 2. SUFFICIENT THRUST BLOCK BEARING AREA SHALL BE INSTALLED TO DISTRIBUTE THE THRUST INTO THE UNDISTURBED TRENCH WALL OF SUITABLE BEARING CAPACITY.
 3. WHERE IT IS DETERMINED THAT THE TRENCH WALL WILL NOT PROVIDE SUITABLE SUPPORT, $\frac{3}{4}$ " ALL-THREAD RODS AND EYE BOLTS SHALL BE USED IN LIEU OF BLOCKING.

TYPE	SIZE	1/4 BENDS		1/8 BENDS		1/16 BENDS		TEES		PLUGS	
		A	B	A	B	A	B	A	B	C	D
TYPE I 4000 PSF SOIL	6"	10"	12"	8"	10"	5"	10"	10"	10"	12"	17"
	8"	14"	14"	10"	12"	7"	11"	11"	14"	14"	22"
	10"	18"	16"	12"	14"	8"	12"	11"	16"	16"	27"
	6"	19"	13"	12"	13"	9"	11"	13"	15"	13"	24"
TYPE II 2000 PSF SOIL	8"	25"	16"	16"	16"	11"	13"	16"	19"	15"	32"
	10"	29"	20"	17"	20"	13"	16"	19"	23"	14"	39"

REVISIONS

DATE	BY	DESCRIPTION
5/28/22	BGM	CHANGE FONT, TITLE BLOCK
5/28/22	BGM	MERGE CHART AND DETAIL

STANDARD THRUST BLOCKS
FOR WATER MAINS

DWG. NO.

4.08

