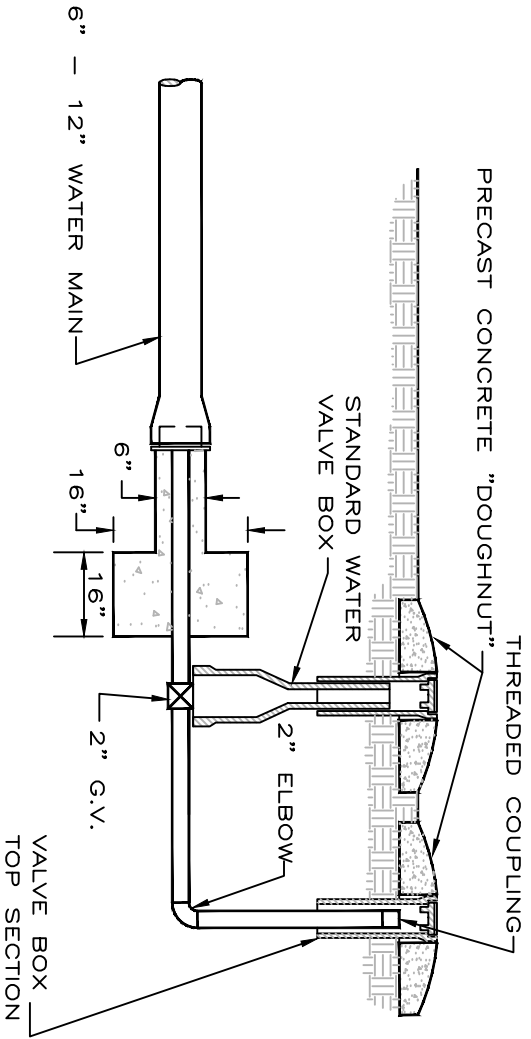


PLAN



PROFILE

NOT TO SCALE

DWG. NO.

4.12

2" BLOW OFF
DETAIL

REVISIONS

| DATE | BY | DESCRIPTION |
|---------|-----|----------------------------------|
| 5/28/22 | BGM | CHANGE FONT, TITLE BLOCK, NUMBER |
| | | |
| | | |
| | | |
| | | |
| | | |
| | | |
| | | |
| | | |

