



ASSEMBLY SUBMITTAL SPEC SHEET

JOB NAME: City of North Augusta
JOB LOCATION:
QUOTE NUMBER: 2084-22-14270
SUBMITTAL TYPE: Record

CONTENTS

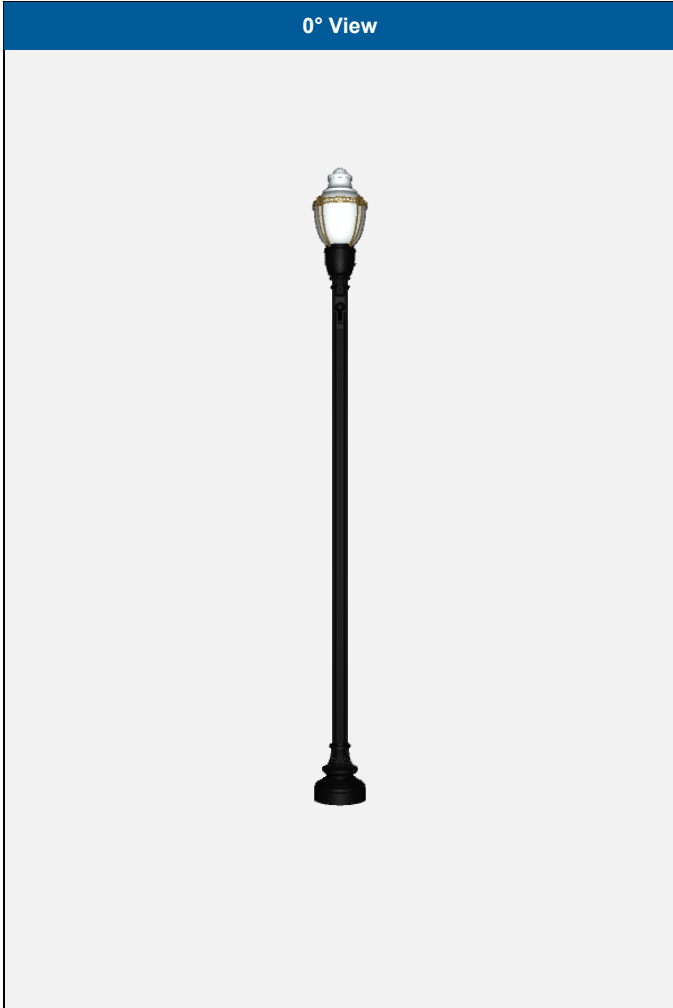
Type	Description
	ASSY12620

NOTES



Job Name: City of North Augusta
Job Location:
Quote No: 2084-22-14270
Type:

Catalog Number:
 WAE3 P70 40K MVOLT EN GL3 BK SBR TGL WDA 14 F5J 17D C03 BK ABG SP156A SP156C RP162A ~~FGIUS-BK~~ BA 100P 30IN 1A BO F5J HB BK BA 100P 30IN 1A BO F5J HB BK ASSY12620

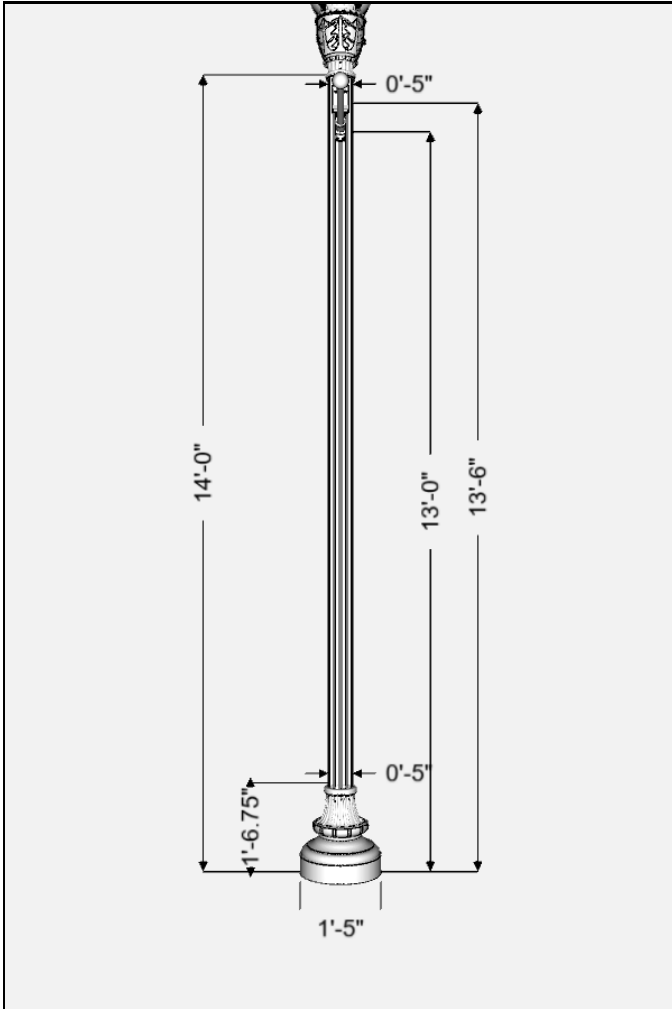


Ordering Information

Luminaire		Pole	
Catalog Number: WAE3 P70 40K MVOLT EN GL3 BK SBR TGL Series: (WAE3) Glass Washington Postlite LED Performance Package: (P70) P70 performance package Color Temperature: (40K) 4000K Voltage: (MVOLT) 120-277V Housing: (EN) Enhanced style housing Optics: (GL3) Glass asymmetric, type III Finish: (BK) Black	Finial/Trim: (SBR) Spike finial, bands and ribs Trim Finish: (TGL) Gold trim	Catalog Number: WDA 14 F5J 17D C03 BK ABG SP156A SP156C RP162A Series: (WDA) Wadsworth aluminum pole Pole Height: (14) 14FT Shaft Style: (F5J) Shaft, 5IN diameter fluted, .25 wall Base Diameter: (17D) 17IN Base, Diamond Pattern Bolt Circle	Pole Top Mounting: (C03) Tenon, 3.00 O.D. x 3IN tall Finish: (BK) Black Base Mounting: (ABG) Anchor bolt (galvanized steel) Small Provision Location A: (SP156A) Small accessory provision Small Provision Location C: (SP156C) Small accessory provision
Pole (Cont...)	Accessories	Accessories	
Receptacle Provision Location A: (RP162A) Duplex receptacle provision	Catalog Number: FGIUS-BK Weatherproof Receptacle: (FGIUS) Receptacle with small, in-use wet location cover Finish: (BK) Black	Catalog Number: BA 100P 30IN 1A BO F5J HB BK Series: (BA) Banner arm Height / Length: (30IN) 30IN Number of Arms: (1A) Single arm	Arm Connection: (BO) Bolt-on Shaft Style: (F5J) Shaft, 5IN diameter fluted, .25 wall Finial: (HB) Half sphere

Accessories (Cont...)	Accessories		Anchor Bolt
<p>Banner Pipe Size: (100P) 1.00 SCH pipe (1.315" actual)</p> <p>Finish: (BK) Black</p>	<p>Catalog Number: BA 100P 30IN 1A BO F5J HB BK</p> <p>Series: (BA) Banner arm</p> <p>Height / Length: (30IN) 30IN</p> <p>Number of Arms: (1A) Single arm</p> <p>Arm Connection: (BO) Bolt-on</p> <p>Shaft Style: (F5J) Shaft, 5IN diameter fluted, .25 wall</p> <p>Finial: (HB) Half sphere</p>	<p>Banner Pipe Size: (100P) 1.00 SCH pipe (1.315" actual)</p> <p>Finish: (BK) Black</p>	<p>Catalog Number: AB-31-4</p> <p>Anchor Bolt: (AB-31-4) AB-31-4</p>
<p>Anchor bolt template</p> <p>Catalog Number: TMP-85</p> <p>Anchor Bolt Template Number: (TMP-85) TMP-85</p>			

Assembly Drawing



Description	Height/Width
Assembly Overall Height	14'-0"
Luminaire Mounting Height	14'-0"
Pole Height	14'-0"
FGIUS Height	13'-6"
BA Height	13'-0"
BA Height	13'-0"
Pole Shaft OD At Top	0'-5"
Pole Shaft OD At Bottom	0'-5"
Pole Base Height	1'-6.75"
Pole Base Width	1'-5"

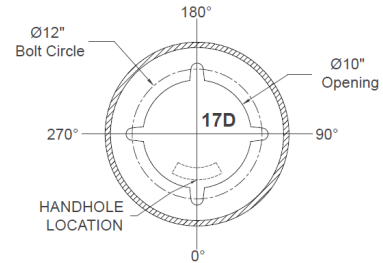
Windload

Passed Wind Speed: 100 mph

Windload Result: 55%

Evaluated per: AASHTO 2013

Anchorage/Orientation Plan



Note: Door = Hand Hole

Ordering Information

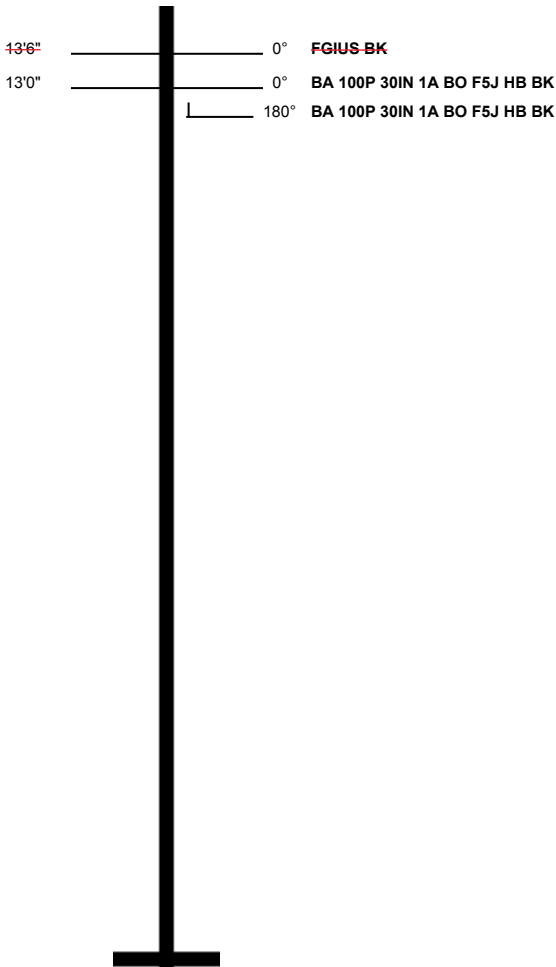
Qty	Catalog Number
10	WAE3 P70 40K MVOLT EN GL3 BK SBR TGL
10	WDA 14 F5J 17D C03 BK SP156A SP156C RP162A
10	AB-31-4
1	TMP-85
10	FGIUS BK
10	BA 30IN 1A BO F5J HB 100P BK
10	BA 30IN 1A BO F5J HB 100P BK

Customer Approval Signature:

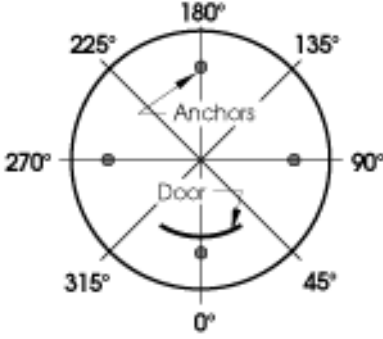
Date:

Orientation Drawing

Pole	Pole Height
WDA 14 F5J 17D C03 BK ABG SP156A SP156C RP162A	14'-0"



Anchorage/Orientation Plan



Note: Door = Hand Hole

The hand hole is located at zero (0) degrees. Height from the bottom of base / anchor plate.

Accessory	Orientation	Height
FGIUS BK	0	162
BA 100P 30IN 1A BO F5J HB BK	0	156
BA 100P 30IN 1A BO F5J HB BK	180	156

Customer Approval Signature:

Date: