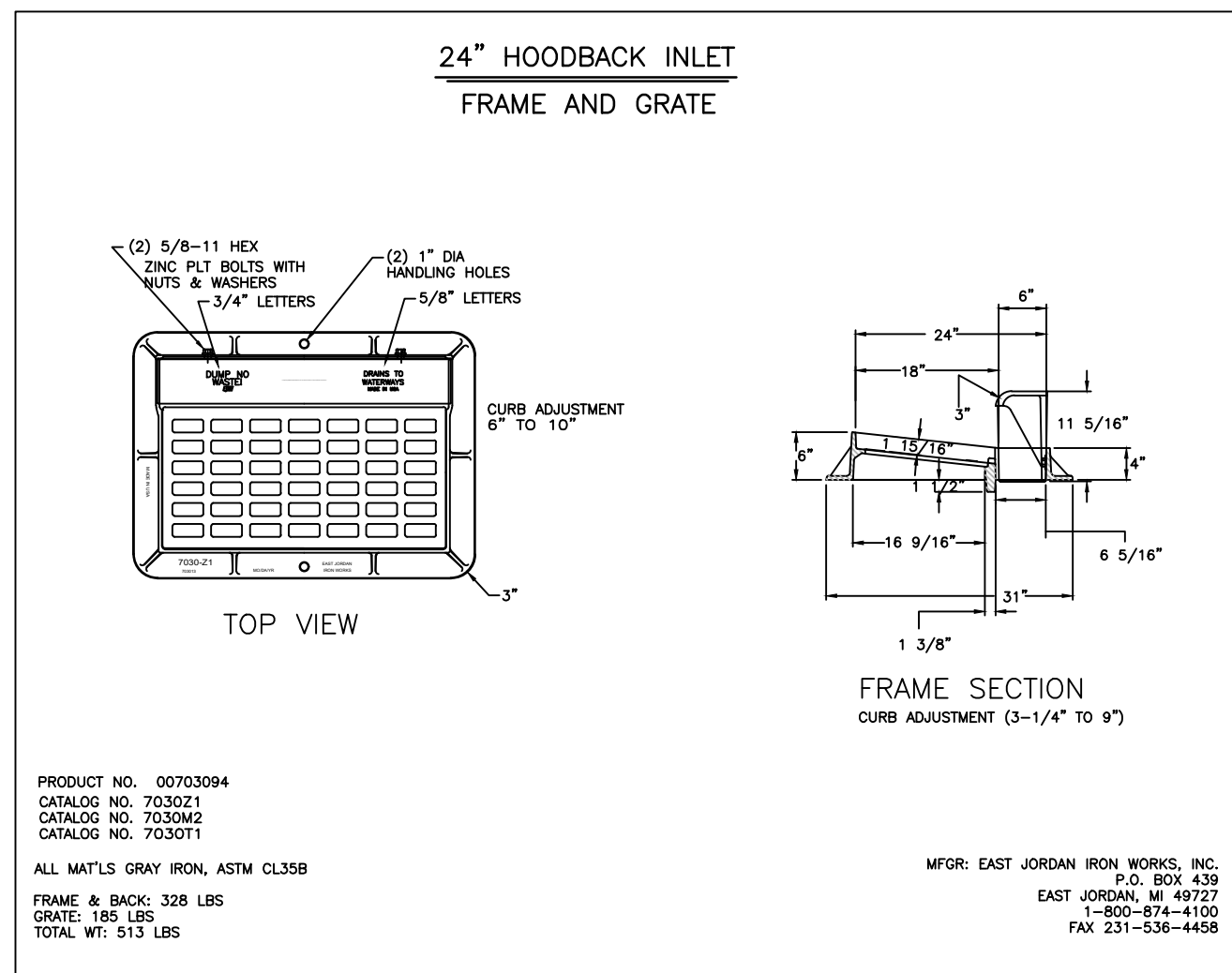
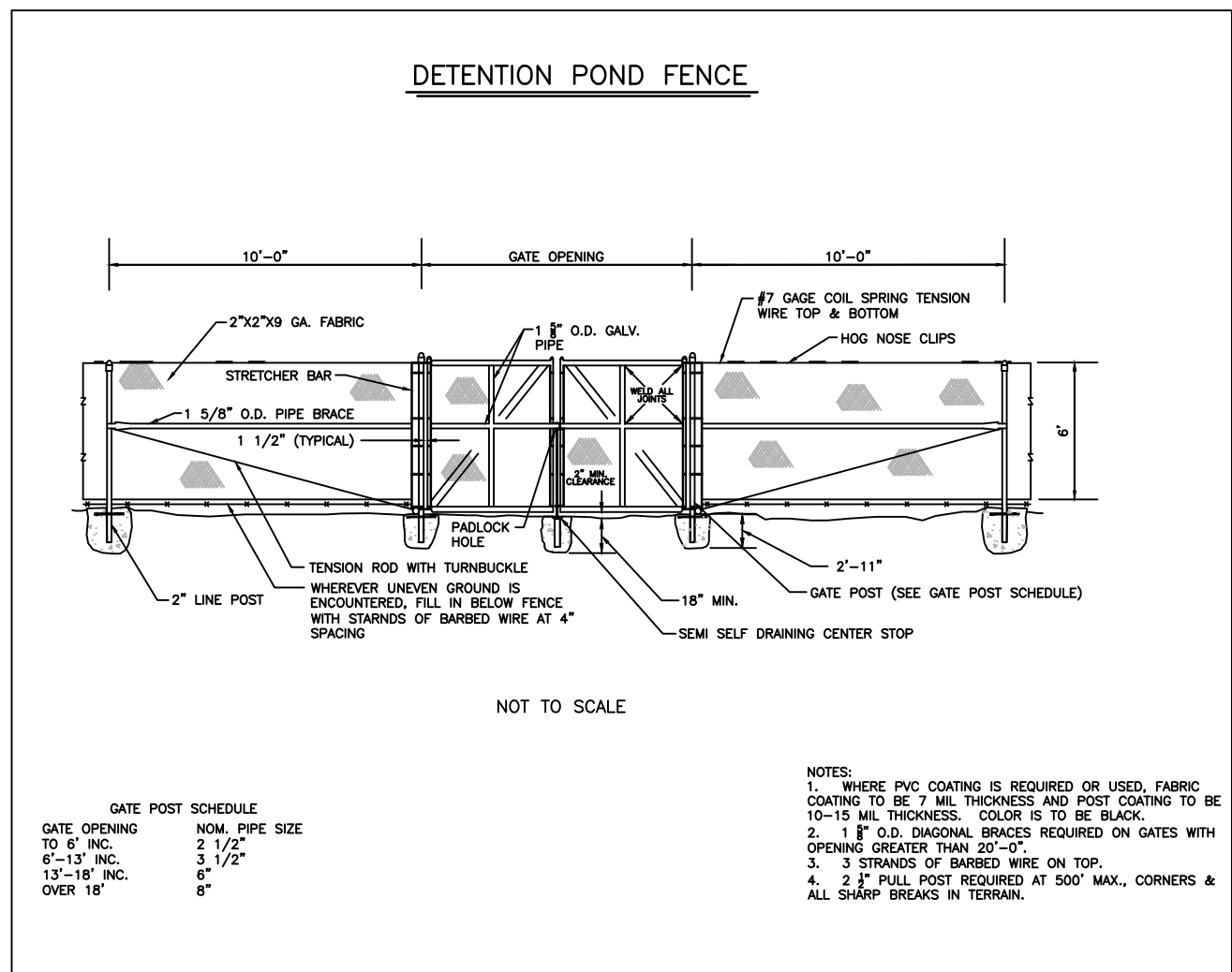
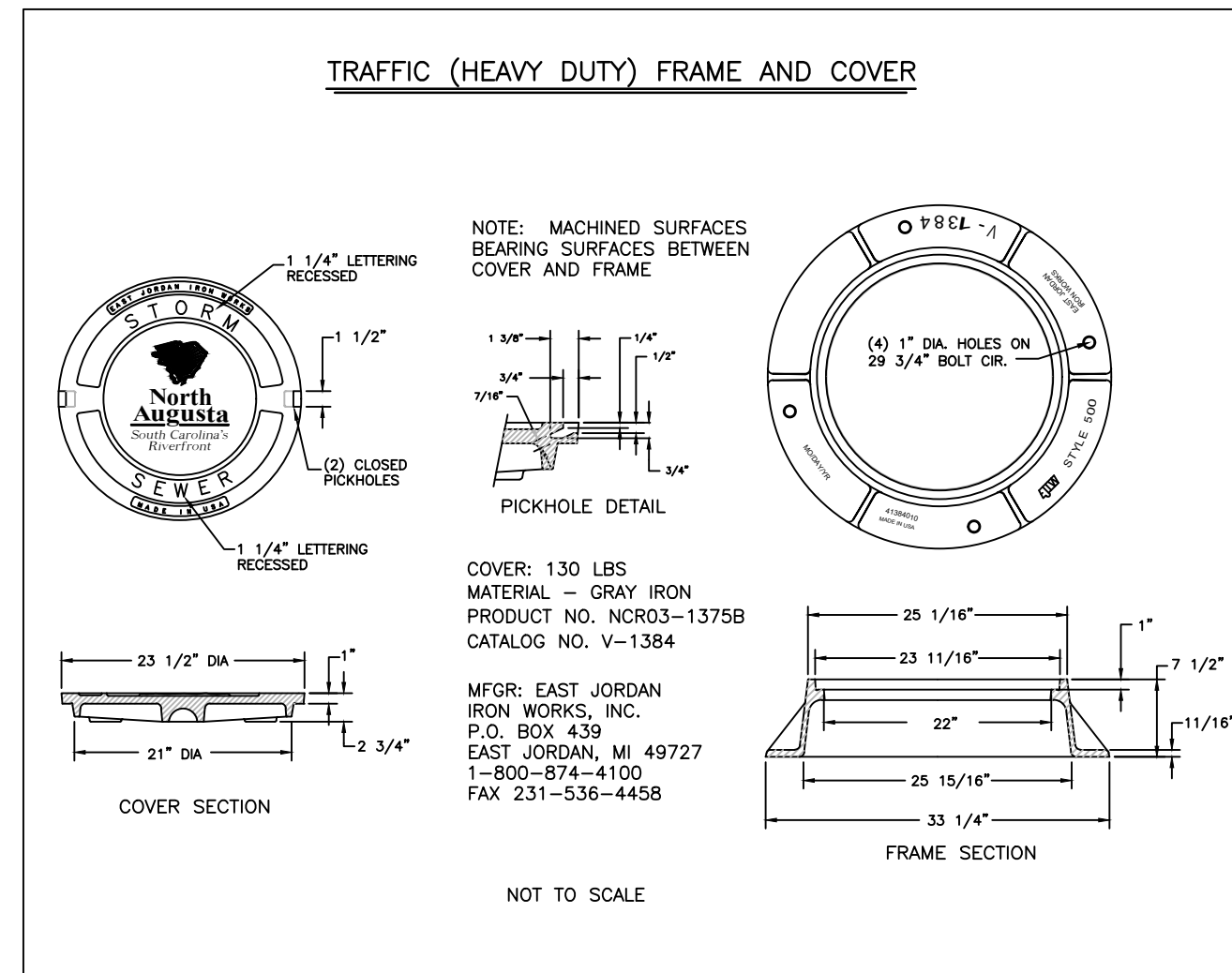
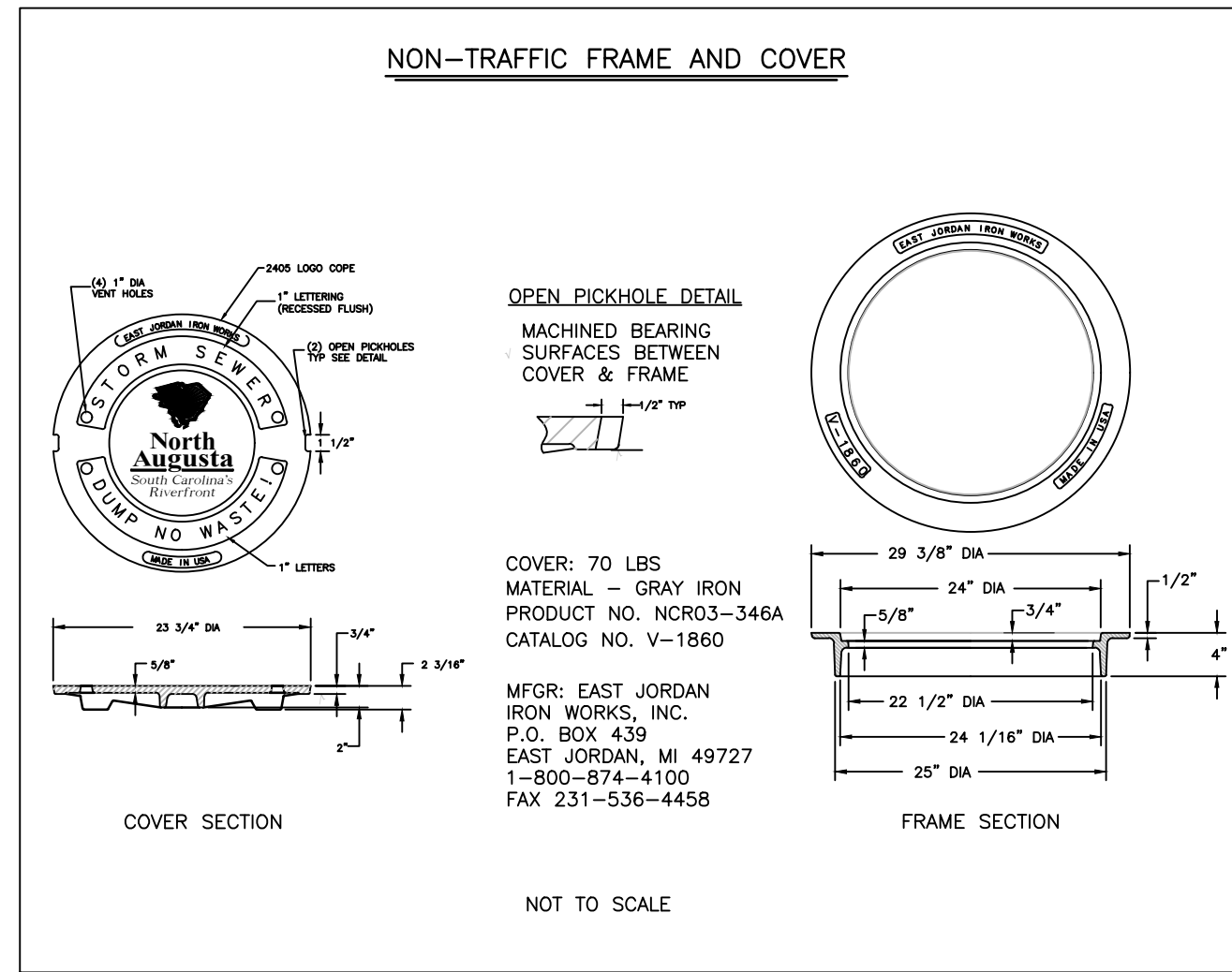
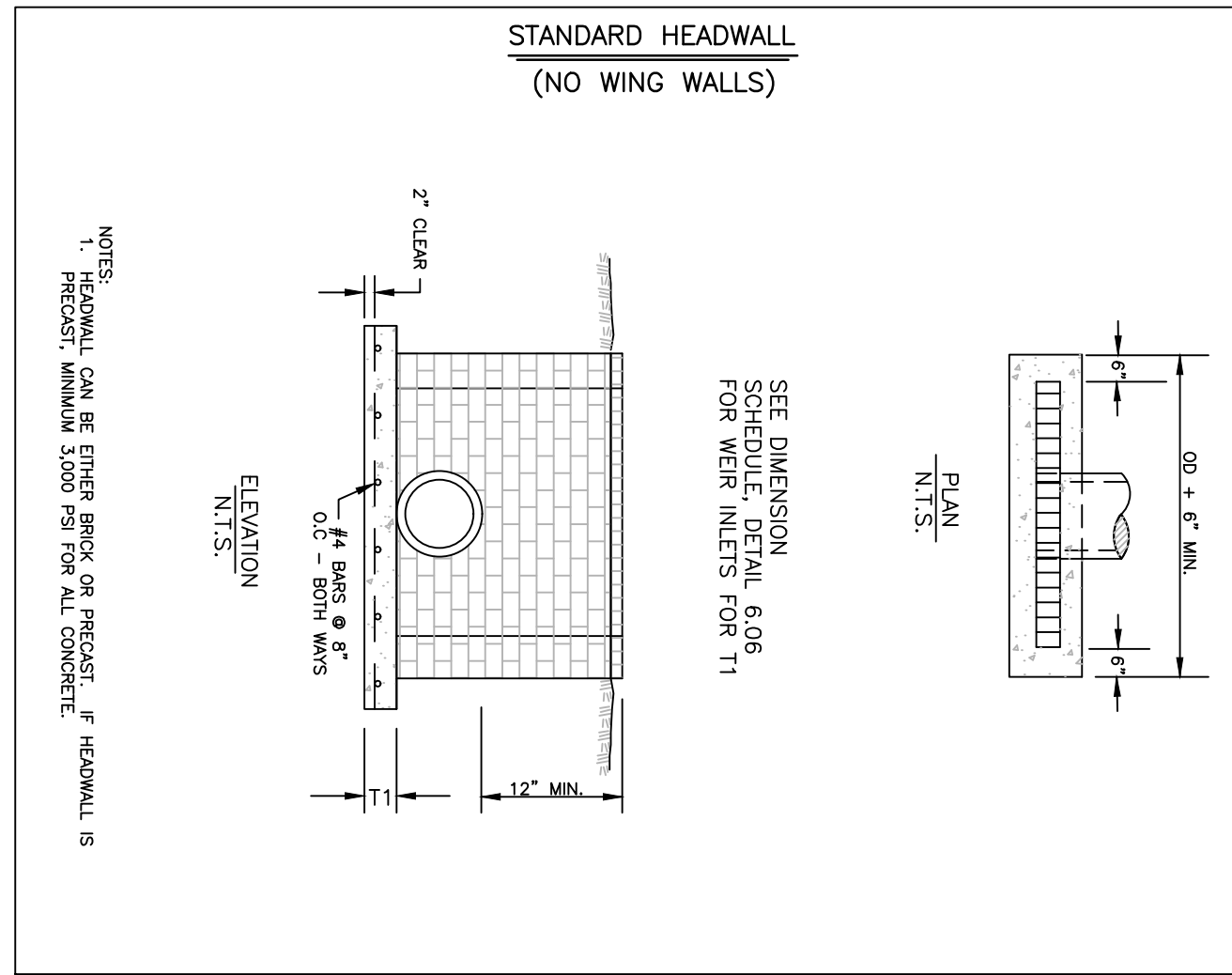
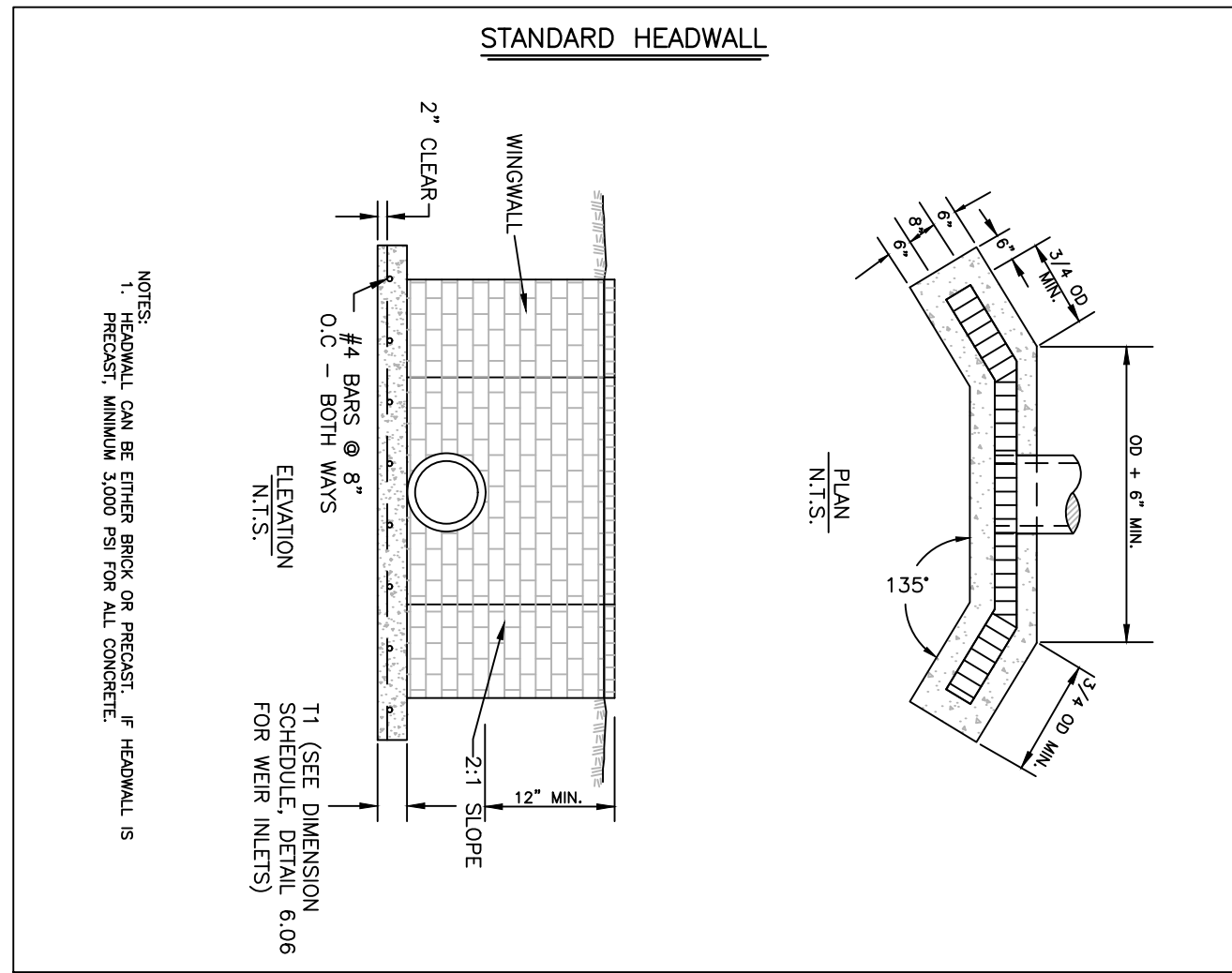
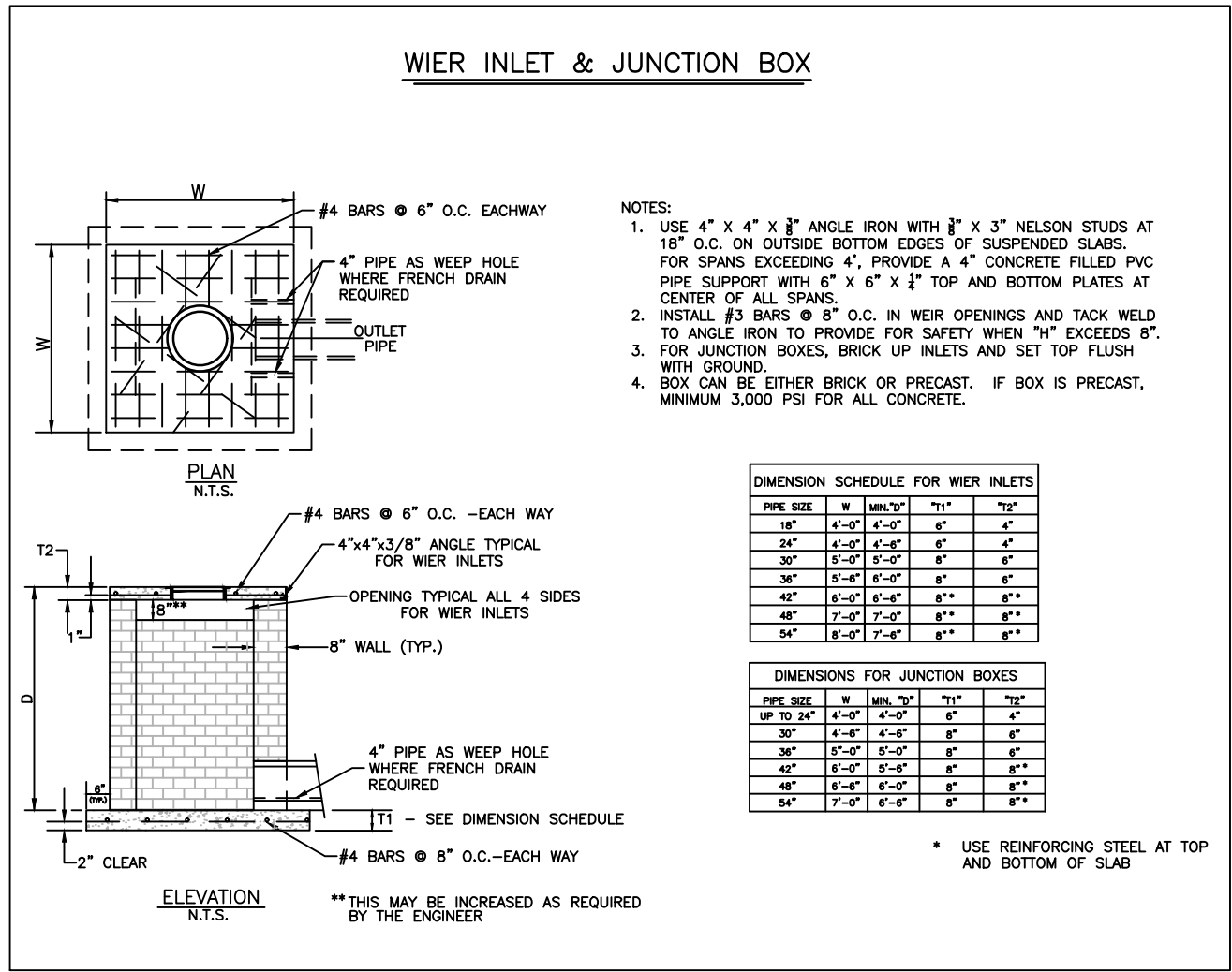


WING TRAP BOX DIMENSIONS

INSIDE DIAMETER OF PIPE	B	W*	W1**
15"	48"	36"	36"
18"	48"	36"	36"
24"	54"	36"	36"
30"	60"	42"	36"
36"	72"	54"	36"
42"	78"	60"	36"
48"	88"	70"	36"
54"	94"	76"	36"
60"	102"	84"	36"

* IF W AND/OR W1 EXCEEDS 42", USE TRANSITION SECTION TO REDUCE TO 36" X 36".
 ** IF PIPE(S) EXIT/ENTER BOX FROM SIDE (PARALLEL TO ROAD), W1 = W.



SESC SYMBOLS (1)

CODE	SYMBOL	DESCRIPTION
(R1)	[Symbol]	ROADWAY
(R2)	[Symbol]	CONCRETE
(R3)	[Symbol]	ASPHALT
(R4)	[Symbol]	GRAVEL
(R5)	[Symbol]	GRAVEL
(R6)	[Symbol]	GRAVEL
(R7)	[Symbol]	GRAVEL
(R8)	[Symbol]	GRAVEL
(R9)	[Symbol]	GRAVEL
(R10)	[Symbol]	GRAVEL
(R11)	[Symbol]	GRAVEL
(R12)	[Symbol]	GRAVEL
(R13)	[Symbol]	GRAVEL
(R14)	[Symbol]	GRAVEL
(R15)	[Symbol]	GRAVEL
(R16)	[Symbol]	GRAVEL
(R17)	[Symbol]	GRAVEL
(R18)	[Symbol]	GRAVEL
(R19)	[Symbol]	GRAVEL
(R20)	[Symbol]	GRAVEL
(R21)	[Symbol]	GRAVEL
(R22)	[Symbol]	GRAVEL
(R23)	[Symbol]	GRAVEL
(R24)	[Symbol]	GRAVEL
(R25)	[Symbol]	GRAVEL
(R26)	[Symbol]	GRAVEL
(R27)	[Symbol]	GRAVEL
(R28)	[Symbol]	GRAVEL
(R29)	[Symbol]	GRAVEL
(R30)	[Symbol]	GRAVEL
(R31)	[Symbol]	GRAVEL
(R32)	[Symbol]	GRAVEL
(R33)	[Symbol]	GRAVEL
(R34)	[Symbol]	GRAVEL
(R35)	[Symbol]	GRAVEL
(R36)	[Symbol]	GRAVEL
(R37)	[Symbol]	GRAVEL
(R38)	[Symbol]	GRAVEL
(R39)	[Symbol]	GRAVEL
(R40)	[Symbol]	GRAVEL
(R41)	[Symbol]	GRAVEL
(R42)	[Symbol]	GRAVEL
(R43)	[Symbol]	GRAVEL
(R44)	[Symbol]	GRAVEL
(R45)	[Symbol]	GRAVEL
(R46)	[Symbol]	GRAVEL
(R47)	[Symbol]	GRAVEL
(R48)	[Symbol]	GRAVEL
(R49)	[Symbol]	GRAVEL
(R50)	[Symbol]	GRAVEL

UNIFORM CODING SYSTEM FOR SOIL EROSION AND SEDIMENT CONTROL PRACTICES

SESC SYMBOLS (2)

CODE	SYMBOL	DESCRIPTION
(V1)	[Symbol]	VEGETATIVE PRACTICES
(V2)	[Symbol]	VEGETATIVE PRACTICES
(V3)	[Symbol]	VEGETATIVE PRACTICES
(V4)	[Symbol]	VEGETATIVE PRACTICES
(V5)	[Symbol]	VEGETATIVE PRACTICES
(V6)	[Symbol]	VEGETATIVE PRACTICES
(V7)	[Symbol]	VEGETATIVE PRACTICES
(V8)	[Symbol]	VEGETATIVE PRACTICES
(V9)	[Symbol]	VEGETATIVE PRACTICES
(V10)	[Symbol]	VEGETATIVE PRACTICES
(V11)	[Symbol]	VEGETATIVE PRACTICES
(V12)	[Symbol]	VEGETATIVE PRACTICES
(V13)	[Symbol]	VEGETATIVE PRACTICES
(V14)	[Symbol]	VEGETATIVE PRACTICES
(V15)	[Symbol]	VEGETATIVE PRACTICES
(V16)	[Symbol]	VEGETATIVE PRACTICES
(V17)	[Symbol]	VEGETATIVE PRACTICES
(V18)	[Symbol]	VEGETATIVE PRACTICES
(V19)	[Symbol]	VEGETATIVE PRACTICES
(V20)	[Symbol]	VEGETATIVE PRACTICES
(V21)	[Symbol]	VEGETATIVE PRACTICES
(V22)	[Symbol]	VEGETATIVE PRACTICES
(V23)	[Symbol]	VEGETATIVE PRACTICES
(V24)	[Symbol]	VEGETATIVE PRACTICES
(V25)	[Symbol]	VEGETATIVE PRACTICES
(V26)	[Symbol]	VEGETATIVE PRACTICES
(V27)	[Symbol]	VEGETATIVE PRACTICES
(V28)	[Symbol]	VEGETATIVE PRACTICES
(V29)	[Symbol]	VEGETATIVE PRACTICES
(V30)	[Symbol]	VEGETATIVE PRACTICES
(V31)	[Symbol]	VEGETATIVE PRACTICES
(V32)	[Symbol]	VEGETATIVE PRACTICES
(V33)	[Symbol]	VEGETATIVE PRACTICES
(V34)	[Symbol]	VEGETATIVE PRACTICES
(V35)	[Symbol]	VEGETATIVE PRACTICES
(V36)	[Symbol]	VEGETATIVE PRACTICES
(V37)	[Symbol]	VEGETATIVE PRACTICES
(V38)	[Symbol]	VEGETATIVE PRACTICES
(V39)	[Symbol]	VEGETATIVE PRACTICES
(V40)	[Symbol]	VEGETATIVE PRACTICES

UNIFORM CODING SYSTEM FOR SOIL EROSION AND SEDIMENT CONTROL PRACTICES



REVISIONS

DATE	BY	DESCRIPTION
3/1/18	[Signature]	COVERED DETAIL PAGE