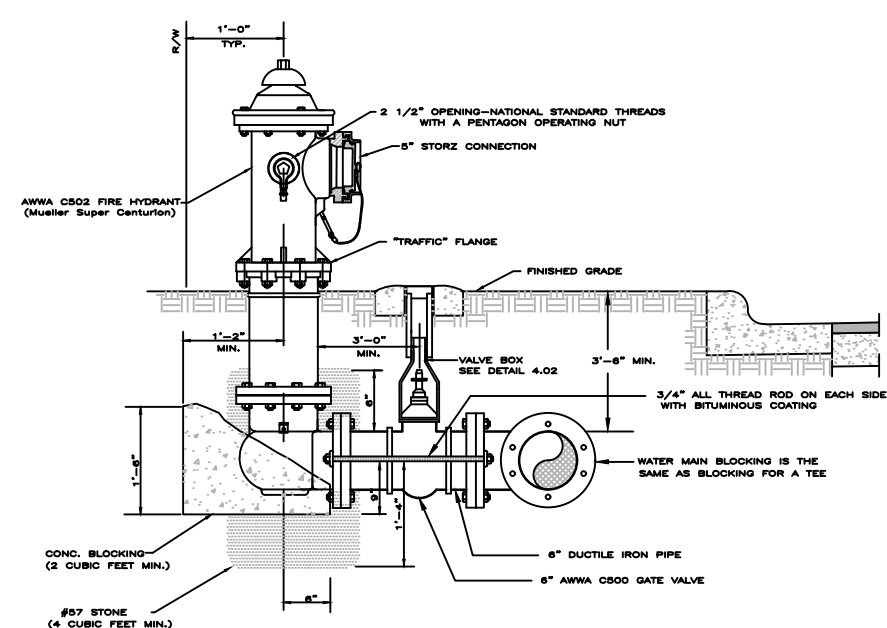


FIRE HYDRANT—STANDARD DETAIL

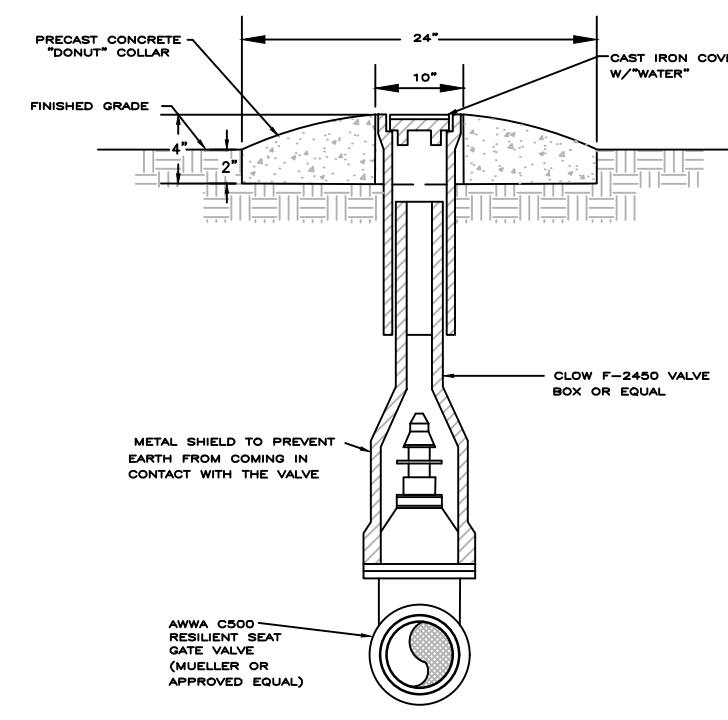


NOTES: 1. THE HYDRANT BODIES MUST NOT COVER THE ADJACENT DRIVE WALK. 2. THE HYDRANT SHALL BE SET TO WORK WITH THE VALVE TO THE RIGHT OF THE DRIVE WALK. 3. THE HYDRANT SHALL BE SET TO WORK WITH THE VALVE TO THE RIGHT OF THE DRIVE WALK. 4. THE HYDRANT SHALL BE SET TO WORK WITH THE VALVE TO THE RIGHT OF THE DRIVE WALK.

CAP COLOR CODING
1000 PSI - 100' SWEET GREEN
1500 PSI - 150' SWEET GREEN
2000 PSI - 200' SWEET GREEN
2500 PSI - 250' SWEET GREEN
3000 PSI - 300' SWEET GREEN
3500 PSI - 350' SWEET GREEN
4000 PSI - 400' SWEET GREEN
4500 PSI - 450' SWEET GREEN
5000 PSI - 500' SWEET GREEN
5500 PSI - 550' SWEET GREEN
6000 PSI - 600' SWEET GREEN
6500 PSI - 650' SWEET GREEN
7000 PSI - 700' SWEET GREEN
7500 PSI - 750' SWEET GREEN
8000 PSI - 800' SWEET GREEN
8500 PSI - 850' SWEET GREEN
9000 PSI - 900' SWEET GREEN
9500 PSI - 950' SWEET GREEN
10000 PSI - 1000' SWEET GREEN

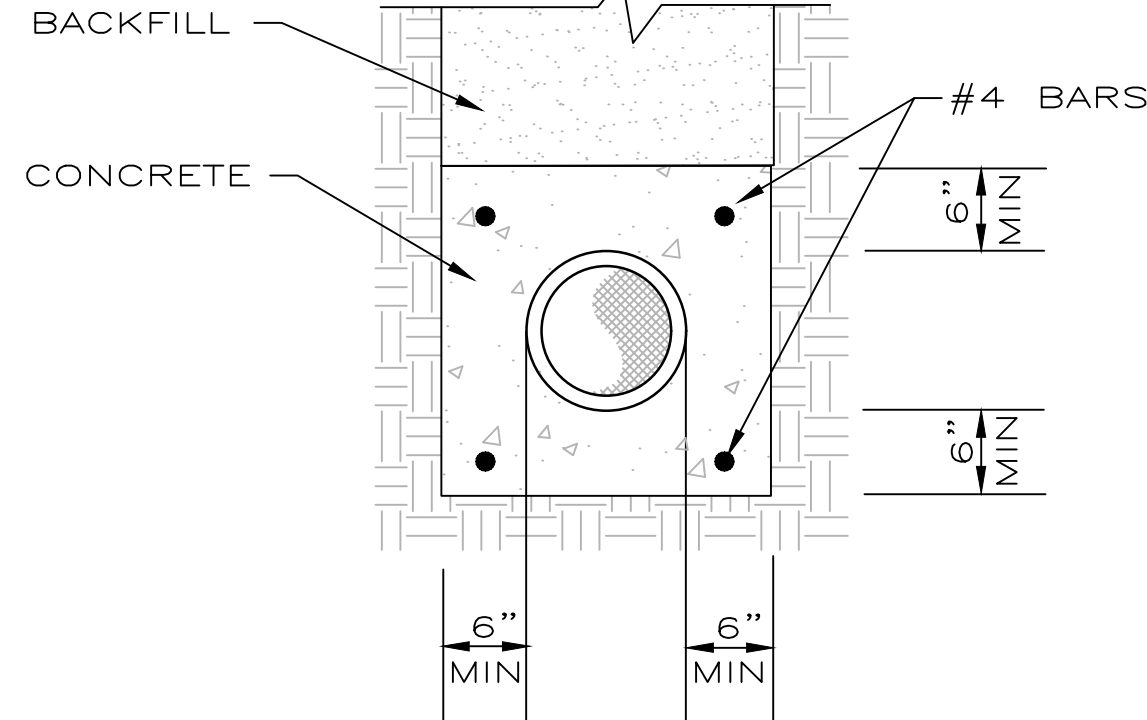
NOT TO SCALE

VALVE BOX INSTALLATION DETAIL



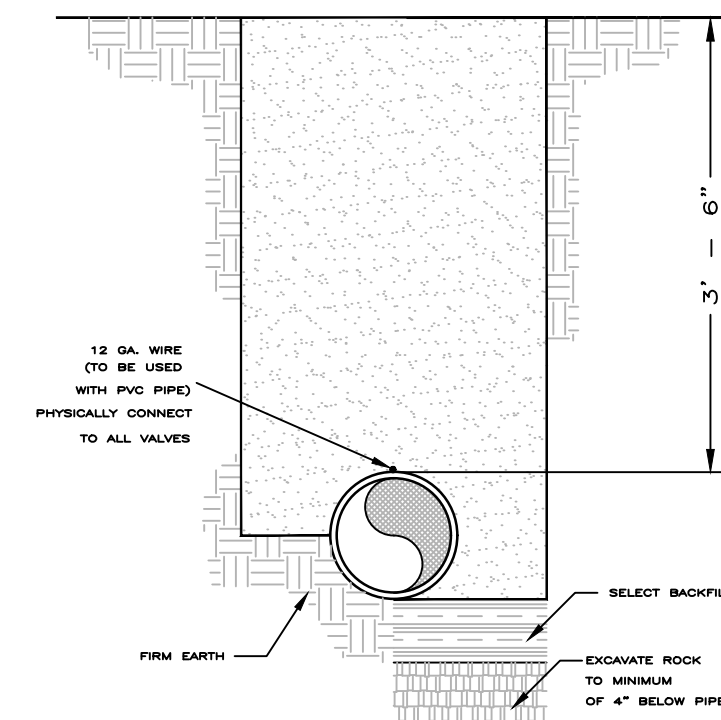
NOT TO SCALE

ENCASEMENT DETAIL



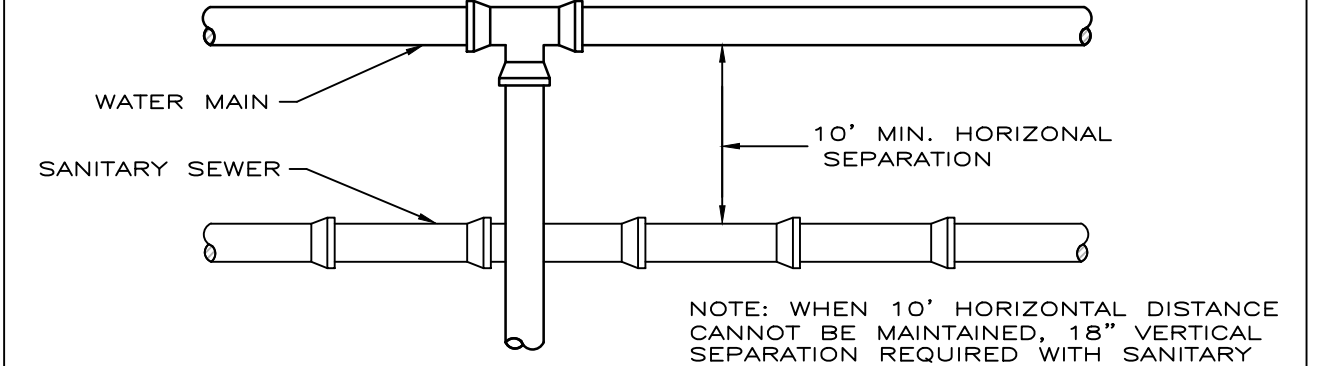
NOT TO SCALE

PIPE BEDDING

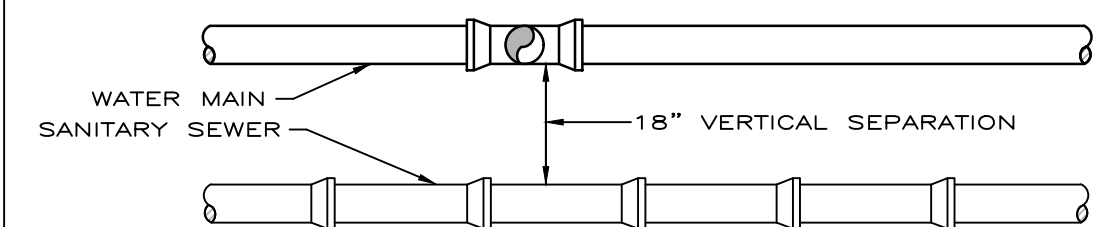


NOT TO SCALE

WATER & SEWER SEPARATION



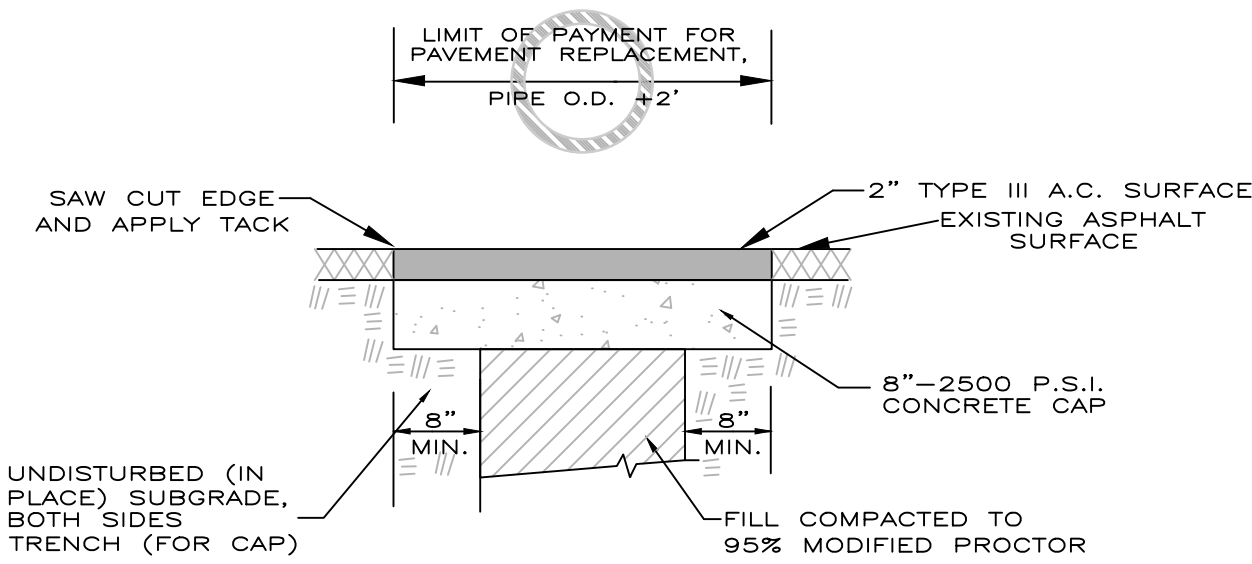
PLAN VIEW



PROFILE VIEW

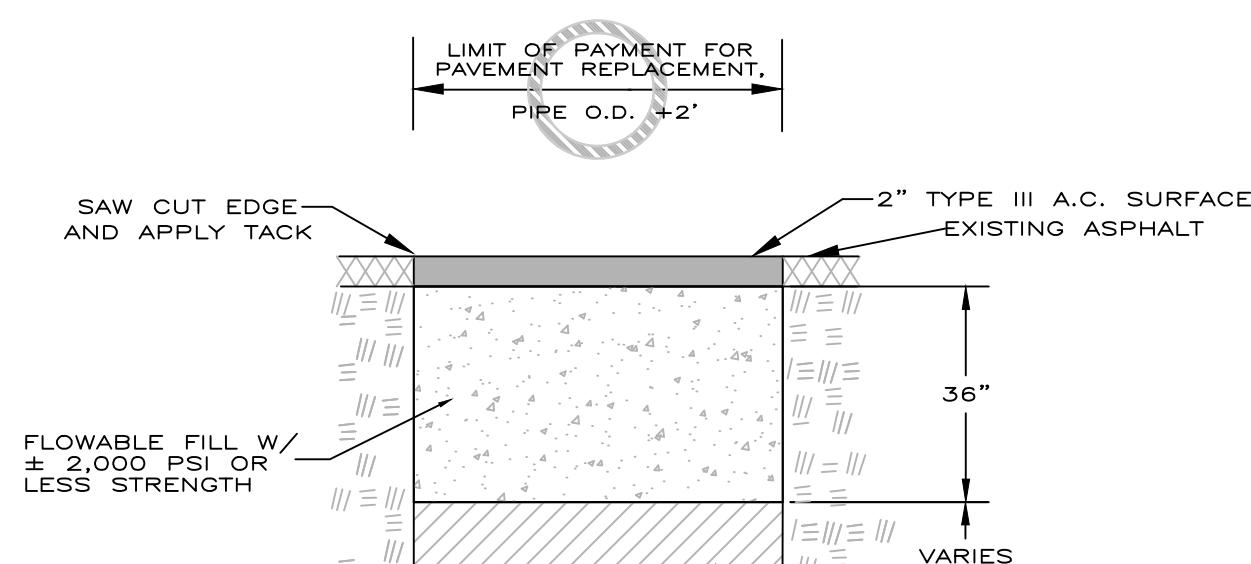
NOT TO SCALE

A - TYPE (STANDARD) PAVEMENT REPLACEMENT



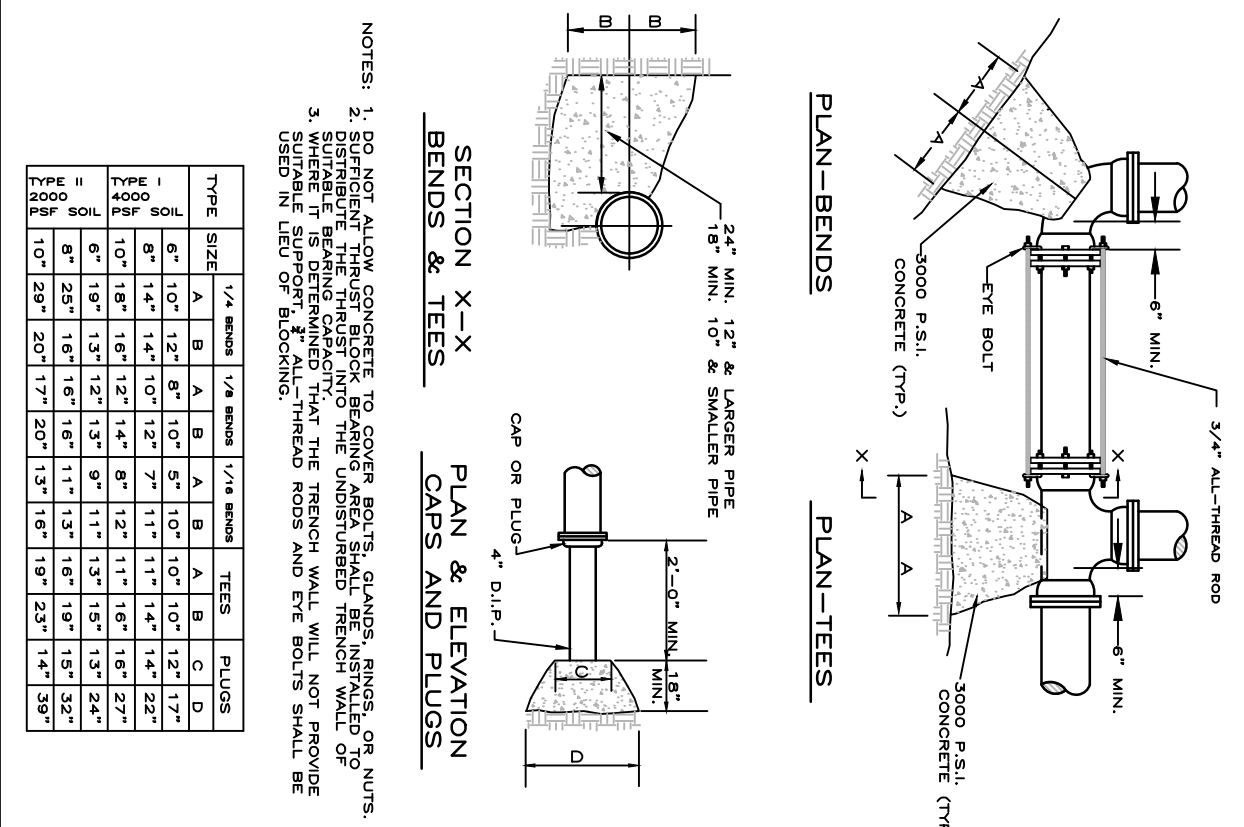
NOT TO SCALE

B-TYPE (SCDOT) PAVEMENT REPLACEMENT



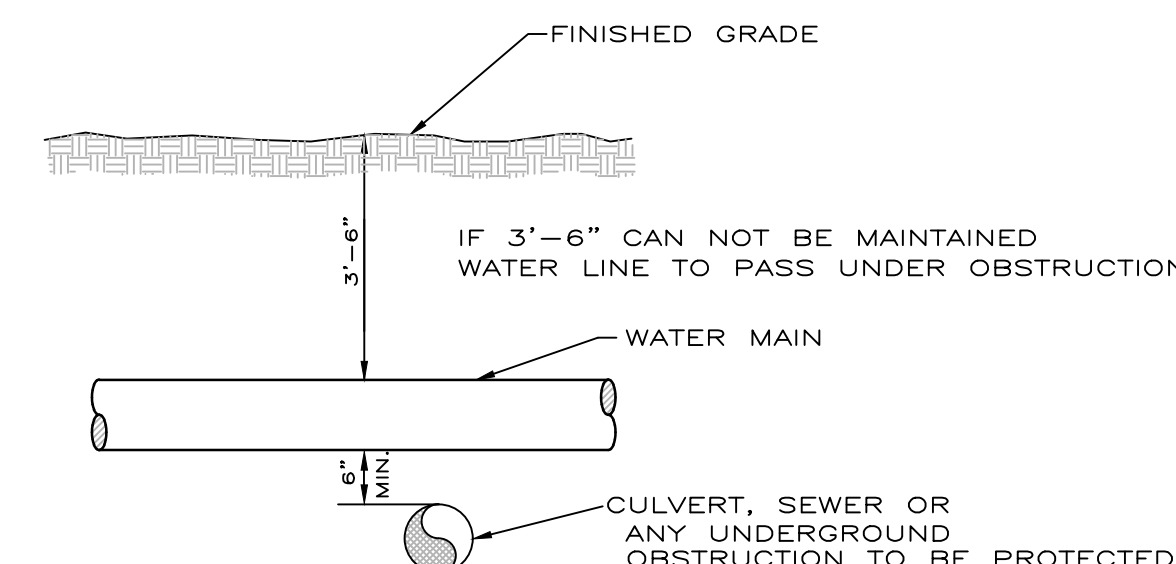
NOT TO SCALE

STANDARD THRUST BLOCKS FOR WATER MAINS



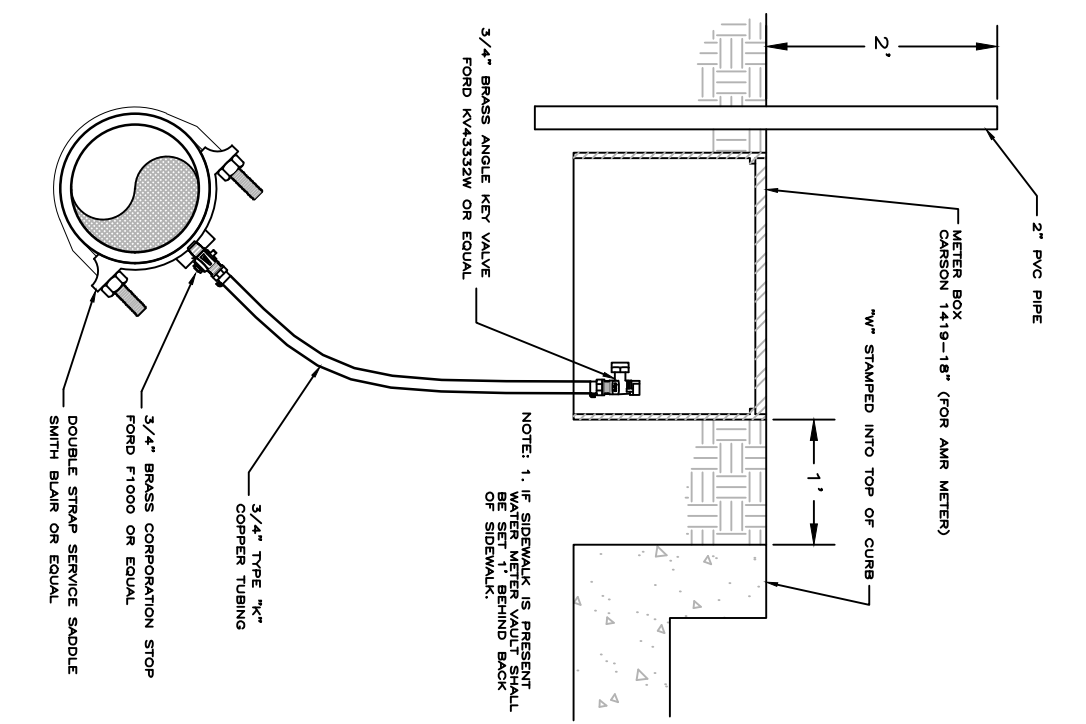
NOT TO SCALE

UNDERGROUND OBSTRUCTION



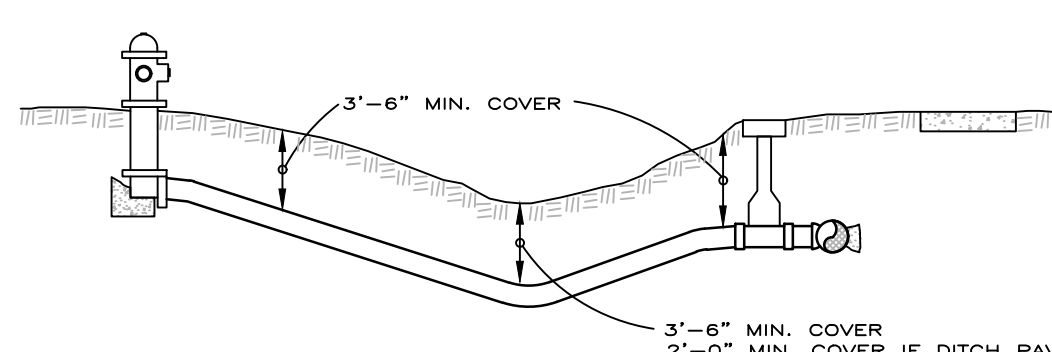
NOT TO SCALE

TYPICAL SERVICE INSTALLATION



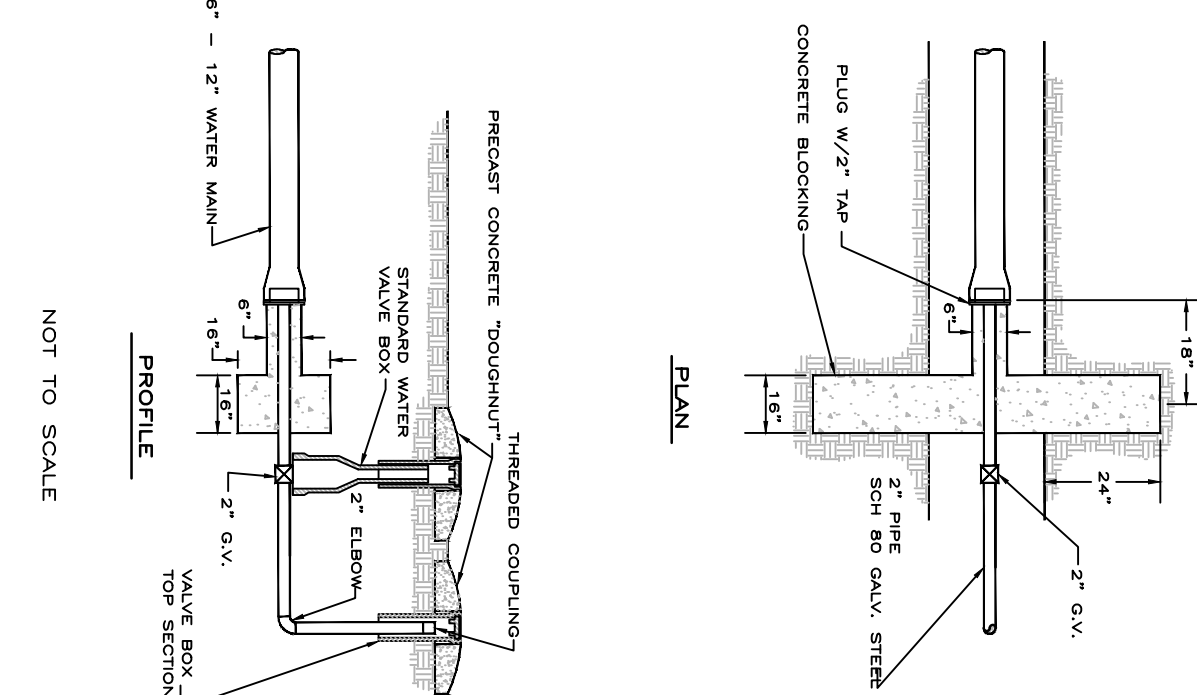
NOT TO SCALE

MINIMUM COVER DETAIL



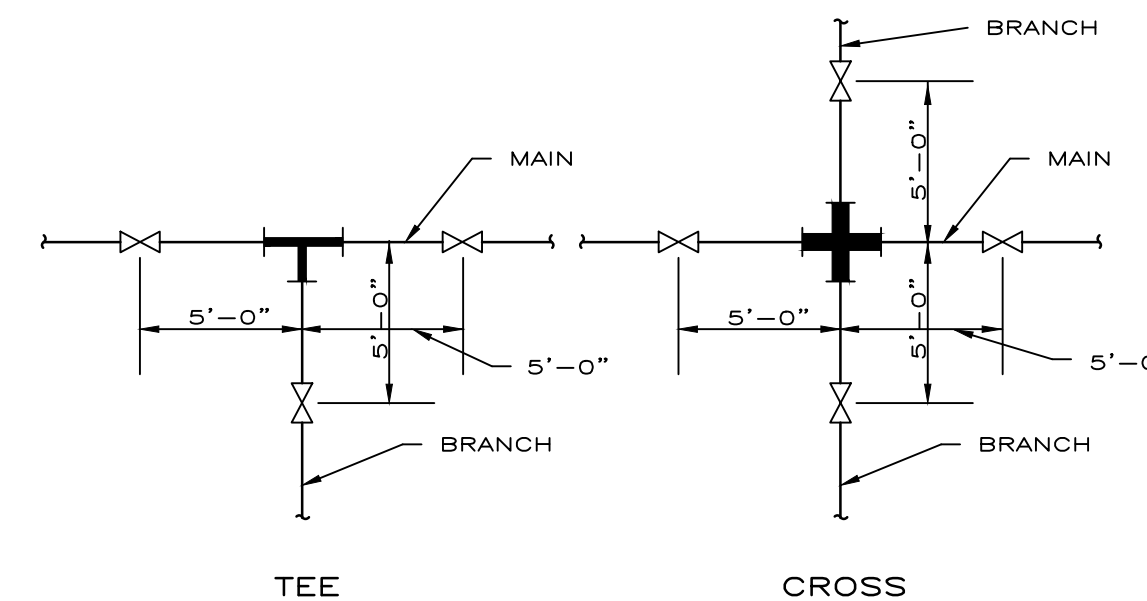
NOT TO SCALE

2" BLOW OFF DETAIL



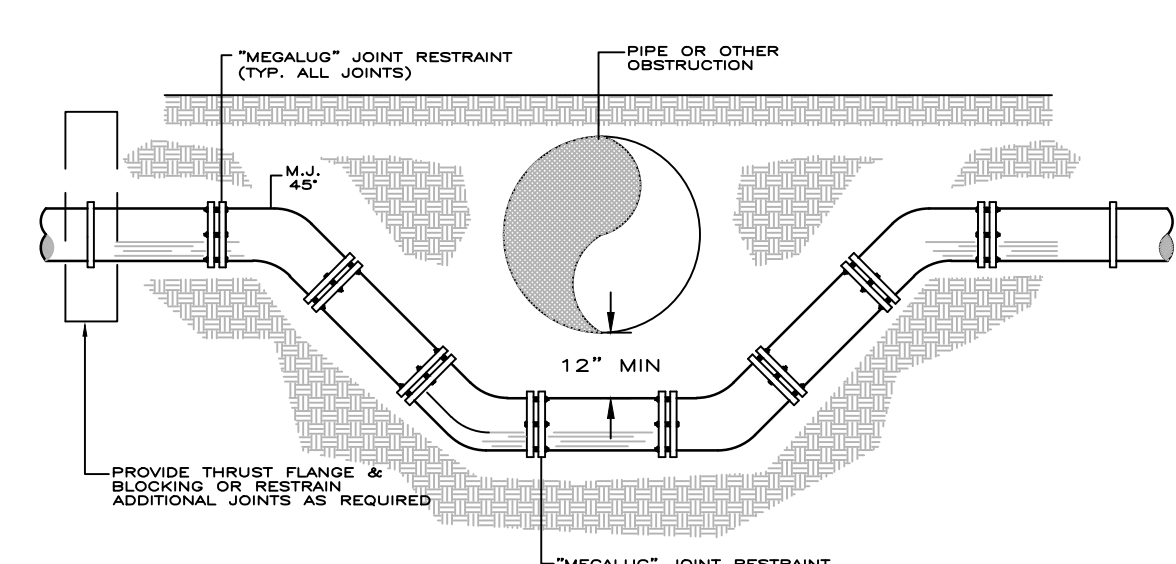
NOT TO SCALE

TYPICAL INTERSECTION PLAN



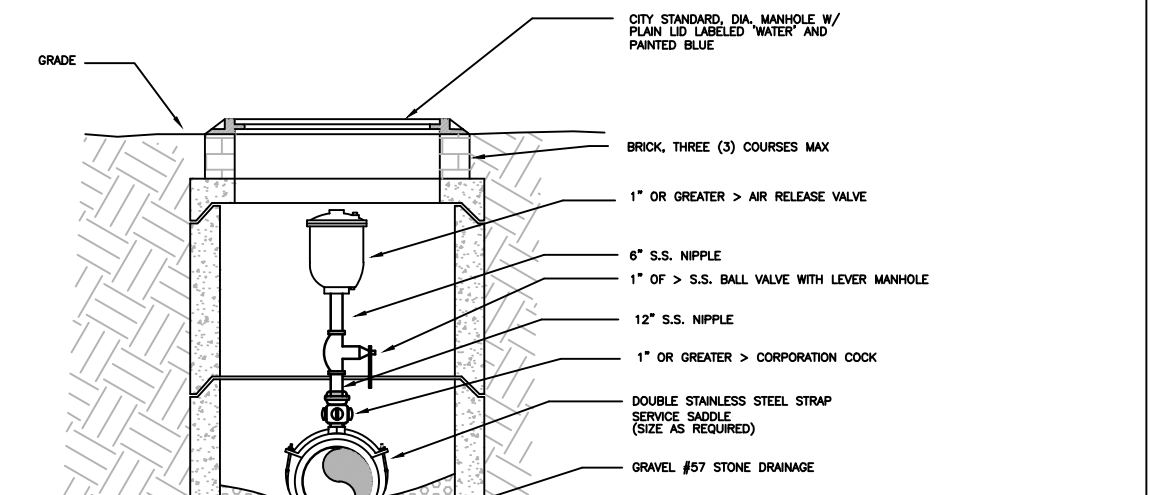
NOT TO SCALE

PIPE RELOCATION



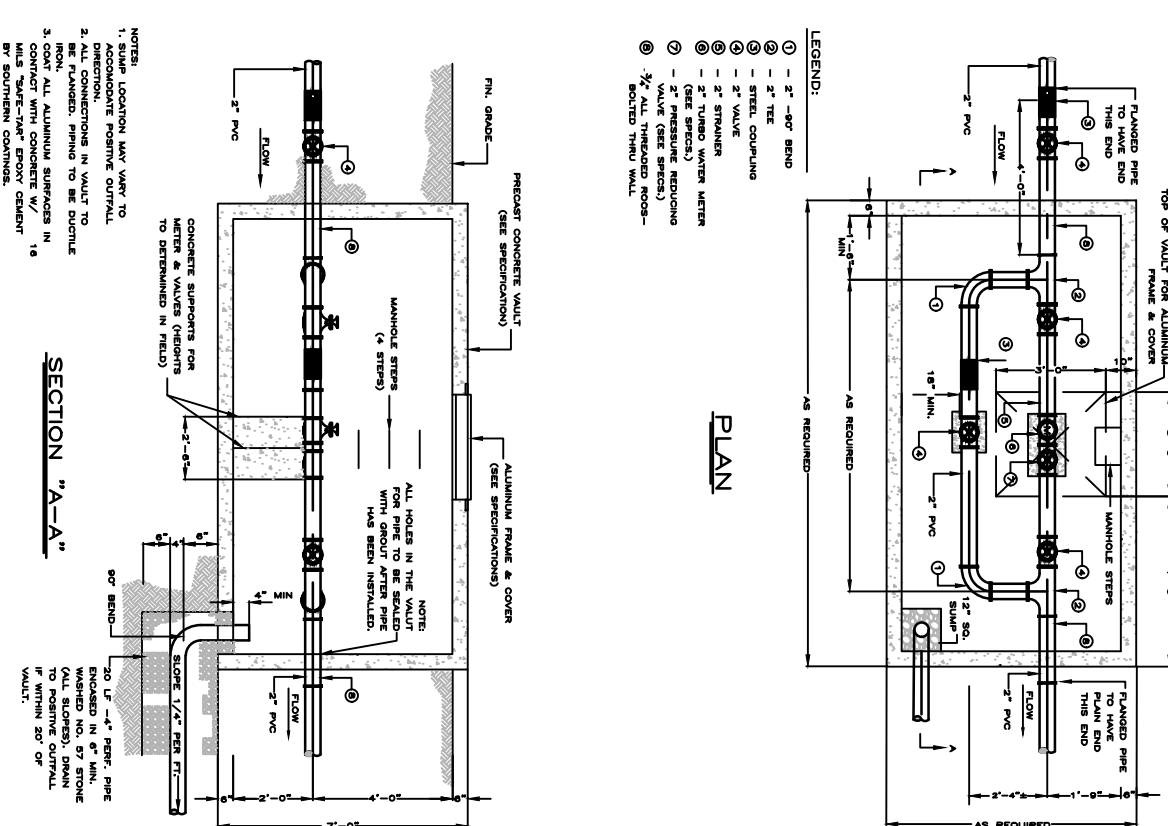
NOT TO SCALE

1" MIN (OR GREATER) AIR RELEASE VALVE DETAIL

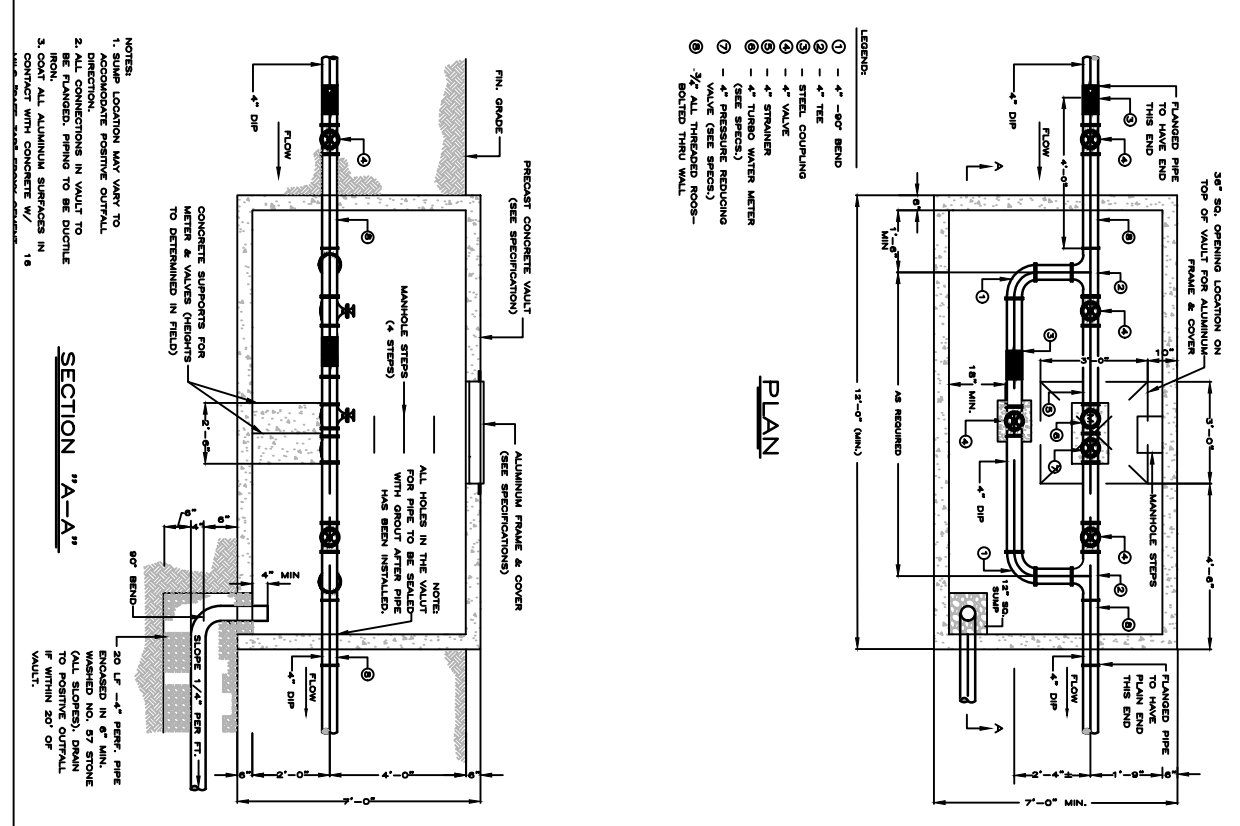


NOT TO SCALE

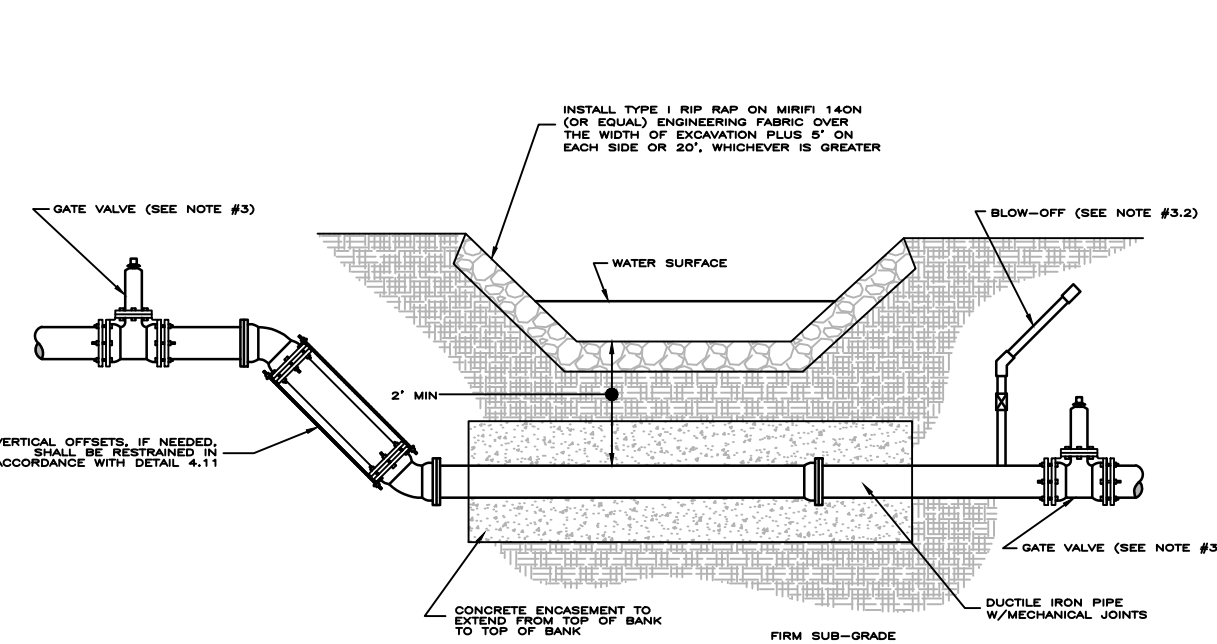
2" WATER METER, BY-PASS & VAULT DETAILS



4" WATER METER, BY-PASS & VAULT DETAILS



WATER LINE CROSSING BENEATH STREAMBED



NOT TO SCALE

North Augusta
South Carolina's
Riverfront

REVISIONS				
DATE	BY	DESCRIPTION	CREATED	COVERED

SECTION 4 - WATER DISTRIBUTION DETAILS

Prepared By:
City of North Augusta
Engineering Department
100 Georgia Avenue
2nd Floor
North Augusta, South Carolina 29841