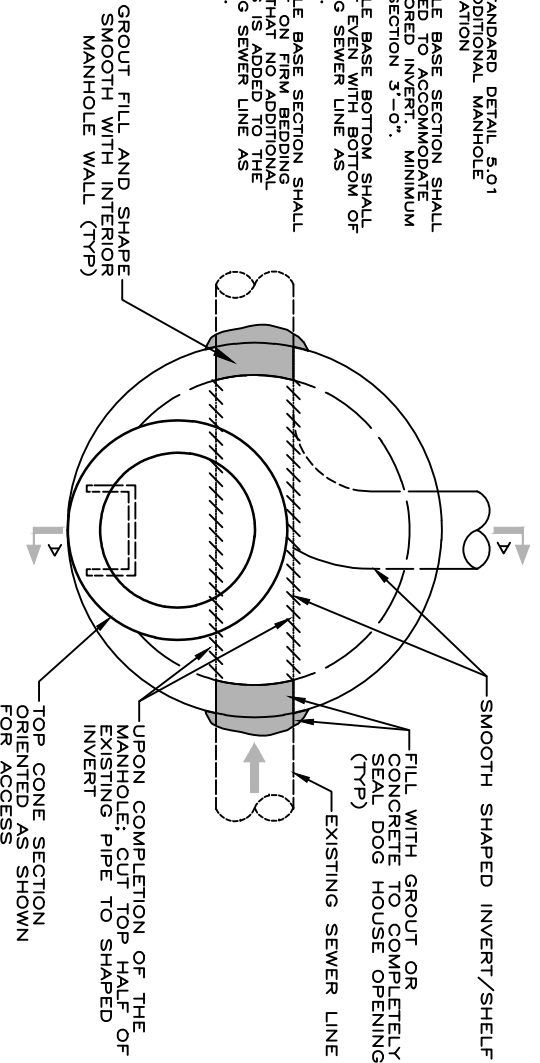
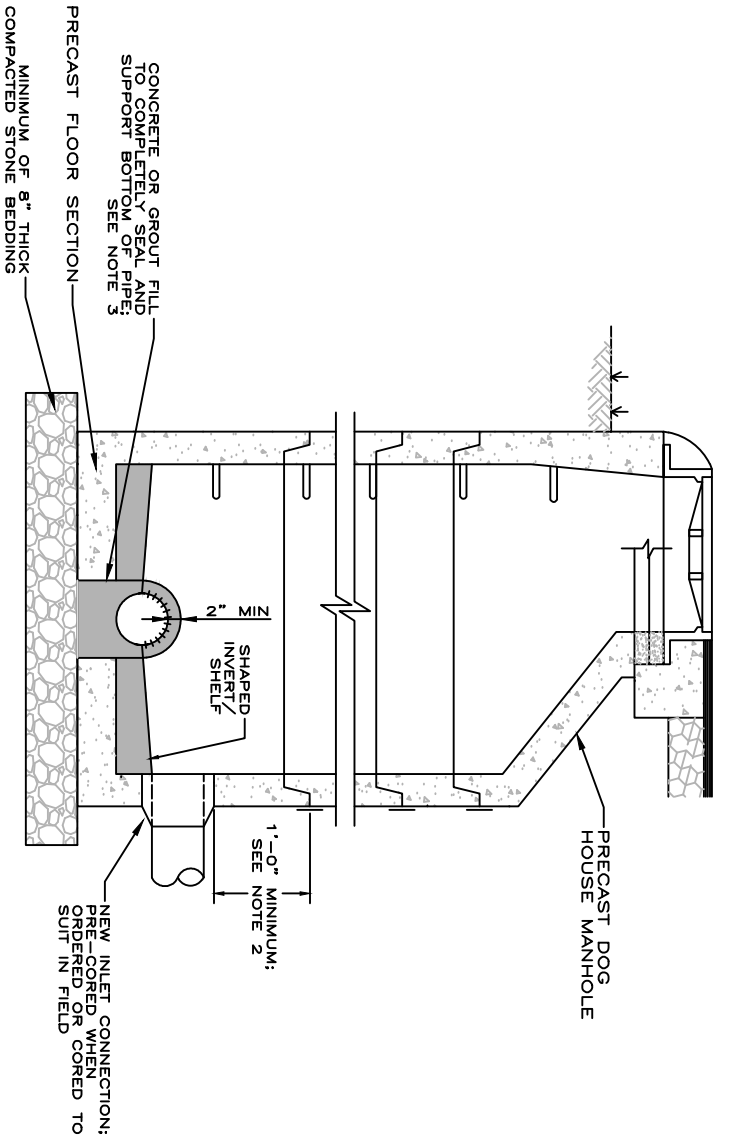


- NOTES: STANDARD DETAIL 5.01
 1. SEE ADDITIONAL MANHOLE INFORMATION
 2. MANHOLE BASE SECTION SHALL BE SIZED TO ACCOMMODATE NEW SIZED INVERT. MINIMUM BASE SECTION 3'-0".
 3. MANHOLE BASE BOTTOM SHALL BE SET EVEN WITH BOTTOM OF EXISTING SEWER LINE AS SHOWN.
 4. MANHOLE BASE SECTION SHALL BE SET ON FIRM BEDDING SUCH THAT NO ADDITIONAL STRESS IS ADDED TO THE EXISTING SEWER LINE AS SHOWN.



SECTIONAL PLAN



SECTION A-A

NOT TO SCALE

DWG. NO.

5.12

DOGHOUSE MANHOLE

REVISIONS

DATE	BY	DESCRIPTION
2020	BGM	CREATED DETAIL
8/24/22	BGM	CHANGE FONT, TITLE BLOCK

